

Accessories

Mating plugs, thread adapters and programming devices



- High-quality accessories
- Developed for our products
- Aligned to our products
- Direct from the manufacturer

Mating plugs

For requirements at short notice and realising customized solutions

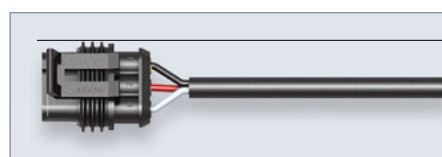
E.7
Accessories



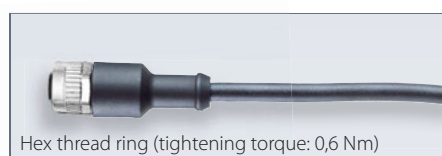
<p>Deutsch DT06-3S (for DT04-3P) 3 x 0,5 mm² PUR cable (2 m), IP67</p>	<p>Suitable for connection code 010 Deutsch DT04-3P</p>	<p>Article number: 1-1-36-653-160</p>
--	---	--



<p>TE AMP Superseal 1.5[®], 3-pin 3 x 0,5 mm² Radox Kabel (2 m), IP65</p>	<p>Suitable for connection code 007 AMP Superseal 1.5[®]</p>	<p>Article number: 1-1-32-653-158</p>
--	---	--



<p>M 12x1 DIN EN 61076-2-LF, 4-pin 4 x 0,34 mm² PUR cable (2 m), IP65</p>	<p>Suitable for connection code 002 M 12x1 DIN EN 61076-2-101 A</p>	<p>Article number: 1-1-00-653-162</p>
---	---	--



For the pin assignment of the wires please refer to chapter M.10 Accessories (page 91)

<p>Socket device M 12x1 DIN EN 61076-2-101 A straight, 4-pin</p> <p>Terminals for wire diameter 0.75 mm² (AWG 18)</p>	<p>Suitable for connection code 002</p> <p>M 12x1 DIN EN 61076-2-101-LF</p>	<p>Article number: 1-6-00-652-016</p>
---	---	--



<p>Socket device M 12x1 DIN EN 61076-2-101 A angled, 4-pin</p> <p>Terminals for wire diameter 0.75 mm² (AWG 18)</p>	<p>Suitable for connection code 002</p> <p>M 12x1 DIN EN 61076-2-101-LF</p>	<p>Article number: 1-6-00-652-017</p>
---	---	--



Thread adapters

For requirements at short notice and realising customized solutions

- The materials and shapes of thread adapters are aligned perfectly to our electronic pressure switches and transmitters
- Thread adapters are provided together with seals to ensure safe and easy installation of our electronic pressure switches and transmitters



For G 1/4 DIN EN ISO 1179-1 (DIN 3852-E)
SUCO thread code 41, transmitters and electronic pressure switches

Stainless steel 1.4305 / AISI 303 thread adapters

G 1/4
DIN EN ISO 1179-1 (DIN 3852-E)
female thread

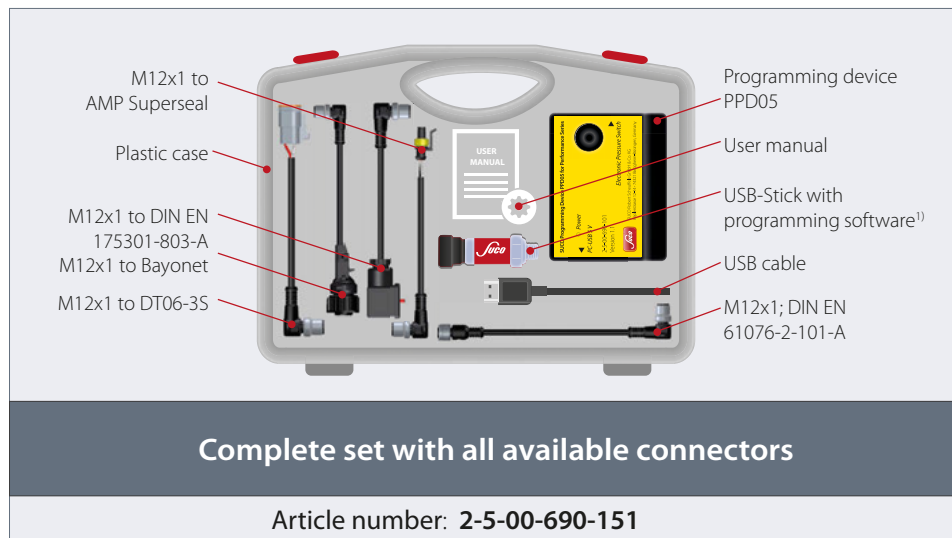
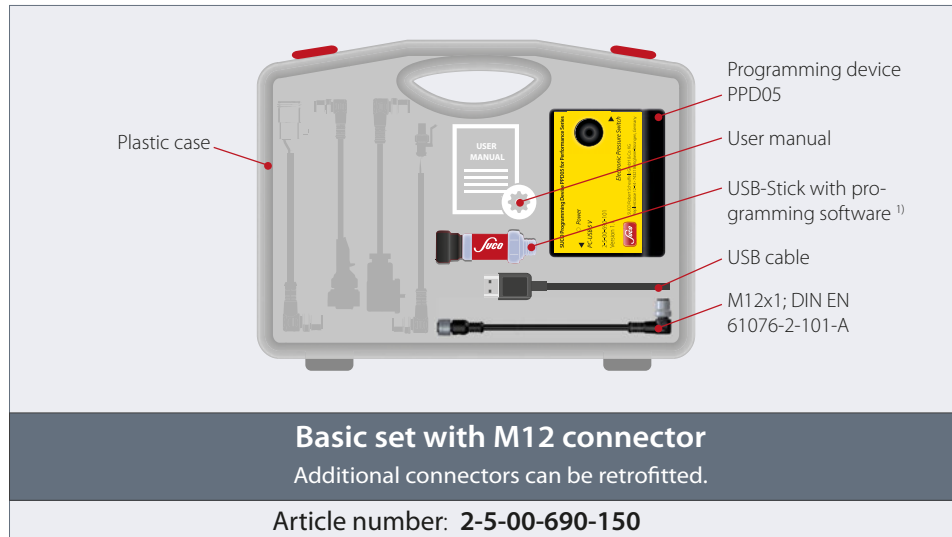
M10 x 1 form A DIN 3852-1	M14 x 1,5 form E DIN 3852-E incl. sealing ring FKM	NPT 1/4-18	9/16-18UNF incl. O-ring FKM
hex 22 h = 30,5 mm	hex 22 h = 35 mm	hex 22 h = 35,5 mm	hex 22 h = 33 mm
Article number:	Article number:	Article number:	Article number:
1-1-00-420-020	1-1-00-420-028	1-1-00-420-021	1-1-00-420-027

Programming device PPD05

for electronic pressure switches of the SUCO „Performance“ series

0500 / 0501

- simple connection to the PC / laptop via USB enables an easy and quick adjustment of technical parameters onsite
- individual programming of the switching points and the switch delay time (0 . . . 2 s); readout of max. pressure change rate as well as switching and overpressure cycles

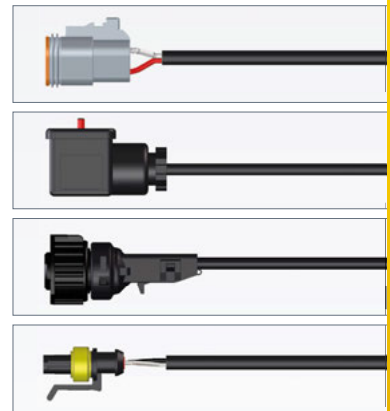


¹⁾System requirements: min. Windows Vista OS.



M12x1 – DT06-3S (für DT04-3P) Adapter cable, 1 m	Article number: 1-0-00-653-214
M12x1 – DIN EN 175301-803-A Adapter cable, 1 m	Article number: 1-0-00-653-210
M12x1 – Bajonett (DIN 72585) Adapter cable, 1 m	Article number: 1-0-00-653-212
M12x1 – AMP Superseal 1.5® Adapter cable, 1 m	Article number: 1-0-00-653-213

For the pin assignment of the wires please refer to chapter M.10 Accessories (page 91)



E.7
Accessories

SUCO