

VACUUM SWITCHES VS4118/VS4128



- ▶ Pre-set vacuum switch with digital output.
- ▶ Durable and compact design with G1/8" 90° angle swivel connection for easy installation.
- ▶ Possible to connect several units serially with T-connectors to provide a common output (VS4128).
- ▶ PNP NO/NC or NPN NO/NC output functions.

TECHNICAL DATA

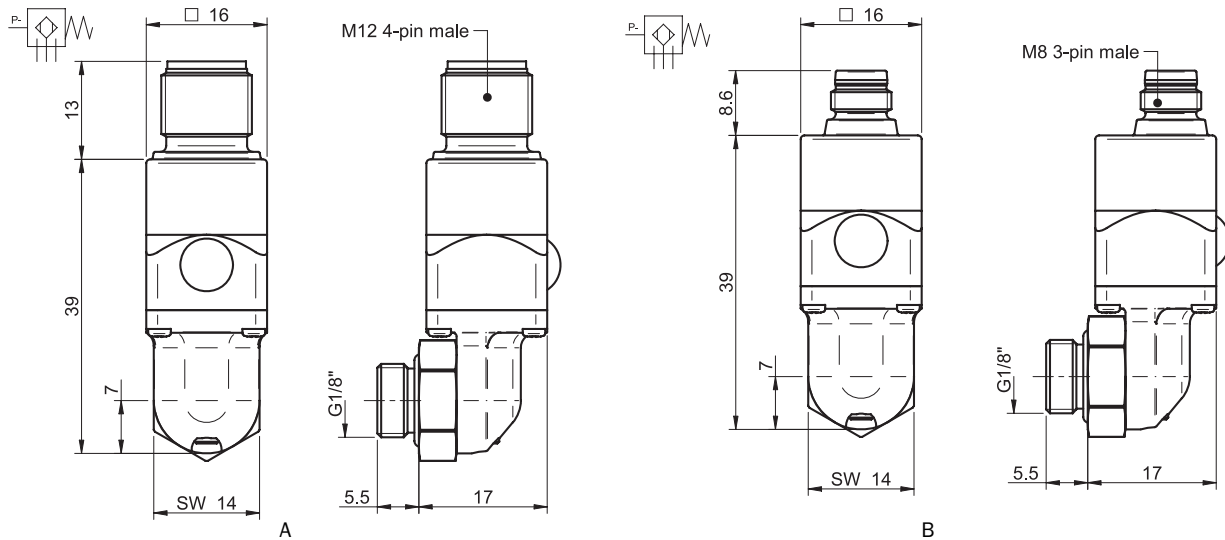
Description	Unit	Value
Feed pressure, max @ vacuum connection	MPa	0.6
Material		AL, SS, CuZn, PA
Temperature range	°C	-25 – 85
Weight	g	23
Connection, vacuum		G1/8"
Function		NO/NC
Hysteresis	kPa	8
Voltage	VDC	24 (12-30)
Safety classification		IP65
Current, max inductive	A	0,1
Current, max resistive	A	0,4
Voltage drop, max (100mA/24V inductive load)	VDC	0.055
Response time	ms	4
Display		LED indicator

TECHNICAL DATA, SPECIFIC

Description	Unit	Value					
		0110630	0110631	0110632	0110730	0110731	0110732
Signal range	-kPa	30±4	50±4	70±4	30±4	50±4	70±4
Electric connection		M12 4-pin	M12 4-pin	M12 4-pin	M8 3-pin	M8 3-pin	M8 3-pin
Dimension, WxDxH	mm	52x16x17	52x16x17	52x16x17	47.6x16x17	47.6x16x17	47.6x16x17

ORDERING INFORMATION

	Description	Art. No.
A	Vacuum Switch VS4128 30 -kPa, M12	0110630
A	Vacuum Switch VS4128 50 -kPa, M12	0110631
A	Vacuum Switch VS4128 70 -kPa, M12	0110632
B	Vacuum Switch VS4118 30 -kPa, M8	0110730
B	Vacuum Switch VS4118 50 -kPa, M8	0110731
B	Vacuum Switch VS4118 70 -kPa, M8	0110732



ORDERING INFORMATION, ACCESSORIES

Description	Art. No.
Cable M8 3-pin female L=2m	0108141
Cable M12 4-pin female L=1.5m	0118961