

VACUUM SWITCHES VS4015/VS4016



- ▶ Pre-set vacuum switch with digital output.
- ▶ Very low weight and small format, push-in or thread connections.
- ▶ PNP NO/NC or NPN NO/NC output functions.

TECHNICAL DATA

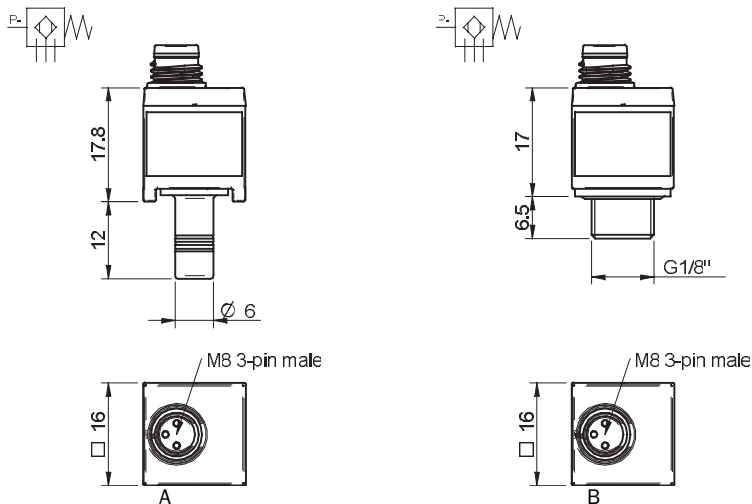
Description	Unit	Value
Feed pressure, max @ vacuum connection	MPa	0.2
Material		PA, TPU, SS, CuZn(Au)
Temperature range	°C	-25 – 85
Weight	g	5
Function		NO/NC
Hysteresis	kPa	6
Voltage	VDC	24 (12-30)
Safety classification		IP40
Current, max inductive	A	0,1
Current, max resistive	A	0,4
Voltage drop, max (100mA/24V inductive load)	VDC	0.055
Response time	ms	4
Display		LED indicator
Electric connection		M8 3-pin

TECHNICAL DATA, SPECIFIC

Description	Unit	Value					
		0110245	0110246	0110247	0110248	0110249	0110250
Connection, vacuum	mm / inch	Ø6	Ø6	Ø6	G1/8"	G1/8"	G1/8"
Signal range	-kPa	30 +5/-3	50 +5/-3	70 +5/-3	30 +5/-3	50 +5/-3	70 +5/-3
Dimension, WxDxH	mm	16x16x22.3	16x16x22.3	16x16x22.3	16x16x21.5	16x16x21.5	16x16x21.5

ORDERING INFORMATION

	Description	Art. No.
A	Vacuum switch VS4015, Ø6, 30 -kPa	0110245
A	Vacuum switch VS4015, Ø6, 50 -kPa	0110246
A	Vacuum switch VS4015, Ø6, 70 -kPa	0110247
B	Vacuum switch VS4016, G1/8" male, 30 -kPa	0110248
B	Vacuum switch VS4016, G1/8" male, 50 -kPa	0110249
B	Vacuum switch VS4016, G1/8" male, 70 -kPa	0110250



ORDERING INFORMATION, ACCESSORIES

Description	Art. No.
Cable M8 3-pin female L=2m	0108141