

VACUUM SWITCHES, INDUCTIVE UNIVERSAL



- ▶ Converts a vacuum level to a digital signal, 24 VDC.
- ▶ Vacuum-actuated membrane linked to a proximity-inductive universal switch.
- ▶ Integrated cable with open ends included.
- ▶ PNP NO/NC or NPN NO/NC output functions.
- ▶ The switch must be connected in series with the load.

TECHNICAL DATA

Description	Unit	Value
Feed pressure, max @ vacuum connection	MPa	0.6
Material		PBTP, PVC, PA, SS, NBR, POM, Al, CuZn
Temperature range	°C	-25–80
Weight	g	71
Function		PNP NO/NC, NPN NO/NC
Hysteresis	kPa	2
Cable		2 x 0.14 mm ² x 2m
Voltage	VDC	24 (5–36)
Safety classification		IP67
Current, max	A	0.2
Voltage drop, max	VDC	4.6

TECHNICAL DATA, SPECIFIC

Description	Unit	Value				
		0104350	3116064	3116089	3116090	3116091
Vacuum, level setting		Knob	Knob	Preset	Preset	Preset
Connection, vacuum	mm	Ø6	M5	M5	M5	M5
Signal range	-kPa	10–95	10–95	10±1	30±3	70±5
Dimension, WxDxH	mm	48.5x16.5x63.8	47.5x16.5x63.8	47.5x16.5x36.5	47.5x16.5x36.5	47.5x16.5x36.5

Supplement

PNP NO = Normally Open, Positive logic. As the switch is activated, the gate at the feed current (+) closes and contact is established.

PNP NC = Normally Closed, Positive logic. As the switch is activated, the gate at the feed current (+) opens and contact is interrupted.

NPN NO = Normally Open, Negative logic. As the switch is activated, the gate at ground (-) closes and contact is established.

NPN NC = Normally Closed, Negative logic. As the switch is activated, the gate at ground (-) opens and contact is interrupted.

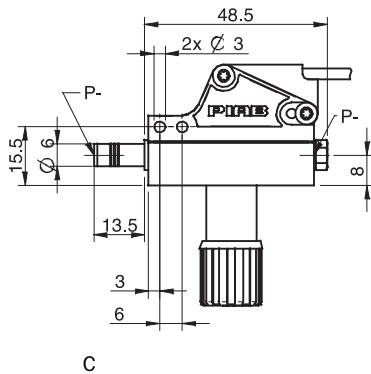
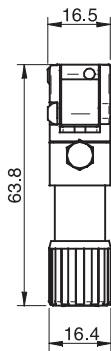
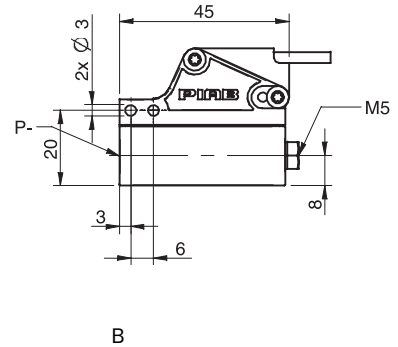
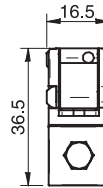
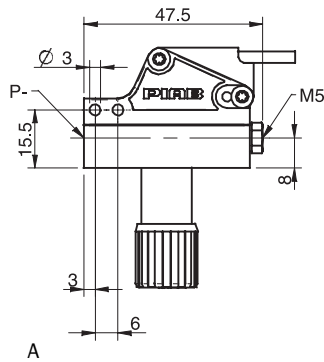
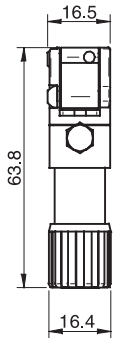
Note:

NO, Normally Open, in electrical circuits corresponds to an open circuit breaker, which means that, if the gate is open, no current can pass through.

NO, Normally Open, in pneumatic circuits corresponds to an open valve, which means that, if the valve is open, compressed air passes through.

ORDERING INFORMATION

	Description	Art. No.
A	Vacuum switch, inductive universal, adjustable with knob	3116064
B	Vacuum switch, inductive universal, preset (Signal range 10 -kPa)	3116089
B	Vacuum switch, inductive universal, preset (Signal range 30 -kPa)	3116090
B	Vacuum switch, inductive universal, preset (Signal range 70 -kPa)	3116091
C	Vacuum switch, inductive universal, adjustable with knob Ø6	0104350



ORDERING INFORMATION, ACCESSORIES

Description	Art. No.
Connection set for vacuum switch	0100488

Contents: Barrel nipple G1/8" M5 long, hose connector 4/2 M5. Material: Nickel-plated brass, SS, PA66, NBR, PA6. Fits: All pre-set and adjustable vacuum switches.