

VACUUM SWITCHES, ELECTRO-MECHANICAL



- ▶ Converts a vacuum level to an electric signal, VAC or VDC.
- ▶ Vacuum-actuated membrane linked to an electro-mechanical switch.
- ▶ Integrated cable with open ends included.
- ▶ Available preset or with adjustable vacuum level.

TECHNICAL DATA

Description	Unit	Value
Feed pressure, max @ vacuum connection	MPa	0,6
Material		PBTP, PVC, PA, SS, NBR, POM, Al, CuZn
Temperature range	°C	-20 – 80
Weight	g	62
Connection, vacuum	mm	M5
Function		NO/NC
Hysteresis	kPa	10
Cable		3 x 0.75 mm ² x 0.5 m
Voltage, max	VAC/VDC	250/30
Safety classification		IP67
Current, max	A	5

TECHNICAL DATA, SPECIFIC

Description	Unit	Value			
		3116068	3116061	3116095	3116096
Vacuum, level setting		Knob	Screw	Preset	Preset
Signal range	-kPa	15–95	15–95	25±5	65±10
Dimension, WxDxH	mm	48x16.5x72	48x16.5x64.5	48x16.5x44.5	48x16.5x44.5

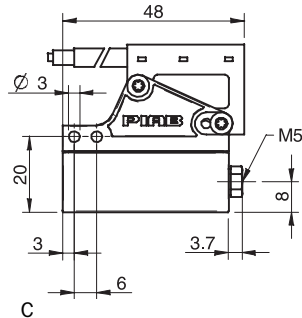
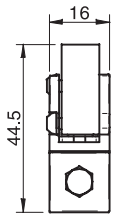
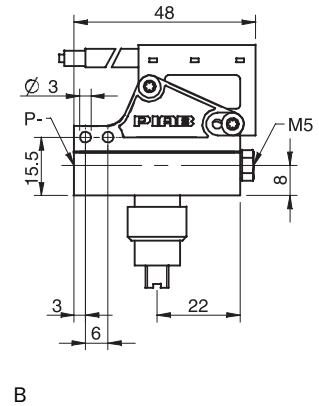
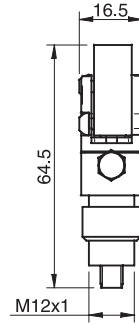
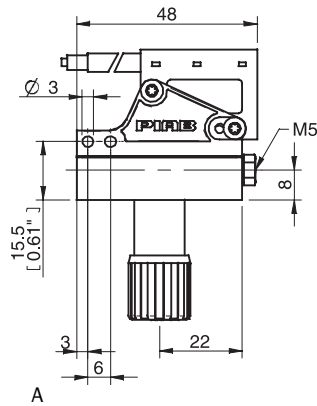
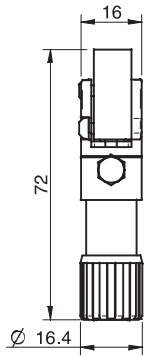
Note:

NO, Normally Open, in electrical circuits corresponds to an open circuit breaker, which means that, if the gate is open, no current can pass through.

NO, Normally Open, in pneumatic circuits corresponds to an open valve, which means that, if the valve is open, compressed air passes through.

ORDERING INFORMATION

	Description	Art. No.
A	Vacuum switch, electro-mechanical, adjustable with knob	3116068
B	Vacuum switch, electro-mechanical, adjustable with screw	3116061
C	Vacuum switch, electro-mechanical, preset (Signal range 25 -kPa)	3116095
C	Vacuum switch, electro-mechanical, preset (Signal range 65 -kPa)	3116096



ORDERING INFORMATION, ACCESSORIES

Description	Art. No.
Connection set for vacuum switch	0100488

Contents: Barrel nipple G1/8" M5 long, hose connector 4/2 M5. Material: Nickel-plated brass, SS, PA66, NBR, PA6. Fits: All pre-set and adjustable vacuum switches.

Optimising controls