

B40MF



SUCTION CUP WITH SHORT BELLOWS, MARK FREE

- ▶ Suction cup of TPU, a mark free material that leaves no trace on the object being handled.
- ▶ Suitable for level adjustment.
- ▶ Lifting movement to separate small and thin objects.
- ▶ Only lightweight objects should be handled when the lifting force is parallel to the surface.

LIFTING FORCES & TECHNICAL DATA

Lifting force vertical to the surface, N, at vacuum level			Lifting force parallel to the surface, N, at vacuum level			Volume	Min. curve radius	Max. vertical movement	Weight rubber part
20 -kPa	60 -kPa	90 -kPa	20 -kPa	60 -kPa	90 -kPa	cm ³	mm	mm	g
18	57	72	13.6	40	47	15	22	11	10

MATERIAL SPECIFICATIONS

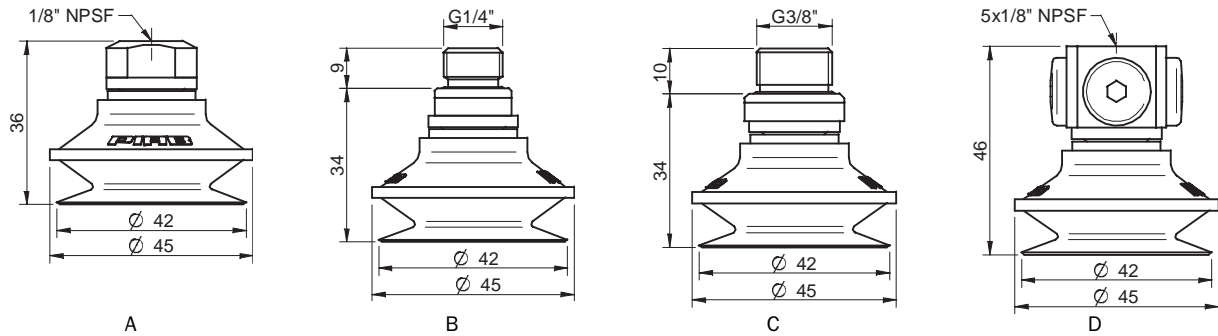
Material	Colour	Hardness °Shore A	Temperature range °C
Thermoelastic polyurethane, TPU	Transparent white	81	-20-80

MATERIAL RESISTANCE

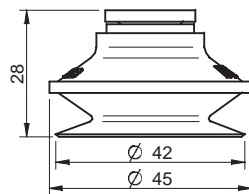
Wear resistance	Oil	Weather & Ozone	Hydrolysis	Petrol	Concentrated acids	Alcohol	Oxidation
Excellent	Excellent	Excellent	Poor	Poor	Poor	Good	Good

ORDERING INFORMATION

Complete suction cups		Art. No.
A	Suction cup B40MF Thermoelastic polyurethane, 1/8" NPSF female, with mesh filter	0101488
A	Suction cup B40MF Thermoelastic polyurethane, 1/8" NPSF female, with dual flow control valve	0101489
B	Suction cup B40MF Thermoelastic polyurethane, G1/4" male, with mesh filter	0101483
B	Suction cup B40MF Thermoelastic polyurethane, G1/4" male, with mesh filter and dual flow control valve	0101490
C	Suction cup B40MF Thermoelastic polyurethane, G3/8" male, with mesh filter	0101485
C	Suction cup B40MF Thermoelastic polyurethane, G3/8" male, with mesh filter and dual flow control valve	0101492
D	Suction cup B40MF Thermoelastic polyurethane, 5x1/8" NPSF female	0101487



Rubber parts	Art. No.
Suction cup B40MF Thermoelastic polyurethane	0101113



Fittings	Art. No.
Fitting 1/8" NPSF female, 30-40, with mesh filter	0101153
Fitting 1/8" NPSF female, 30-40, with dual flow control valve	3251006
Fitting G1/4" male, 30-40, with mesh filter	3250091
Fitting G1/4" male, 30-40, with mesh filter and dual flow control valve	3251007
Fitting G3/8" male, 30-40, with mesh filter	3250086
Fitting G3/8" male, 30-40, with mesh and dual flow control valve	3251009
Fitting 5x1/8" NPSF female, 30-40	0100261
Fitting 5x1/8" NPSF female, 30-40, with dual flow control valve	3251011

For further information and dimensioned drawings, see SUCTION CUPS FITTINGS chapter.

Suction cups
B-MF