

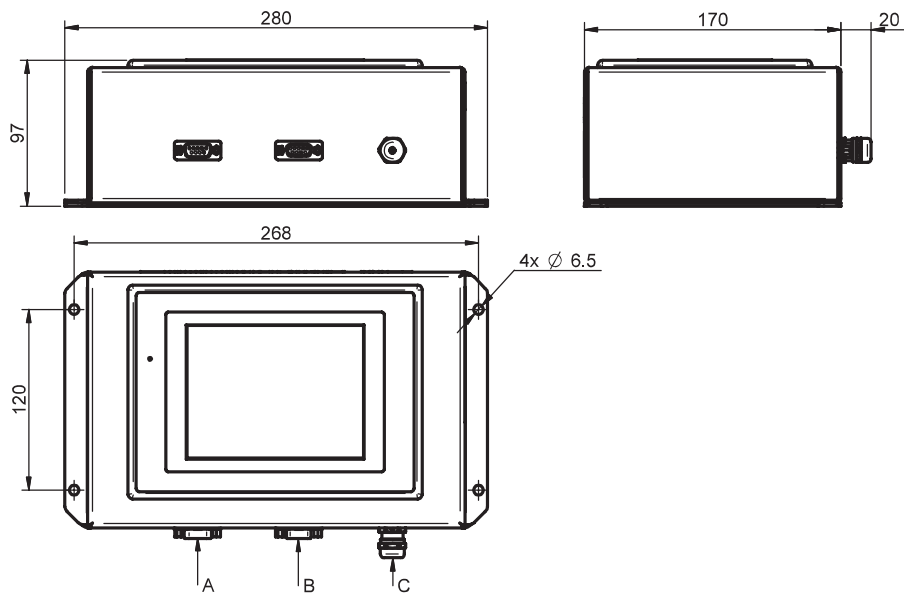
OPERATOR TERMINAL



- ▶ All settings can be stored as recipes
- ▶ Password protected
- ▶ Cable connection to PLC
- ▶ 5" touch screen

TECHNICAL DATA

Description	Unit	Value
Material		Al, PA, PS
Temperature range	°C	0-45
Weight	g	2650
Power supply	VDC	24
Safety classification		IP40
Power consumption	W	10



A	Data I/O
B	Data link (on master terminal only)
C	Power supply 24VDC