

X20L



- ▶ Extra vacuum level to 93 -kPa
- ▶ Small size and low weight
- ▶ Use in tightly sealed or non-porous applications
- ▶ Available with connection plate in aluminium (B1) and composite PA (B, C)

Supplied with push-in hose connector for compressed air (for pumps with connection plate B).
 Supplied with push-in hose connector for compressed air and external through-flow silencer (for pumps with connection plate C).

TECHNICAL DATA

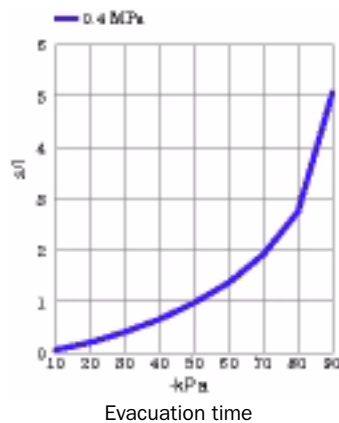
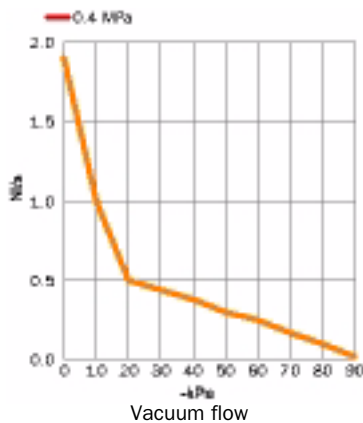
Description	Unit	Value
Feed pressure, max.	MPa	0.7
Noise level	dBA	62-66
Temperature range	°C	-20-80
Weight	g	60-74
Material		Al, ABS, PA, POM, SS, NBR

VACUUM FLOW

Feed pressure MPa	Air consumption NI/s	Vacuum flow (NI/s) at different vacuum levels (-kPa)										Max vacuum -kPa
		0	10	20	30	40	50	60	70	80	90	
0.40	1.6	1.9	1.0	0.50	0.44	0.38	0.30	0.25	0.17	0.10	0.020	93

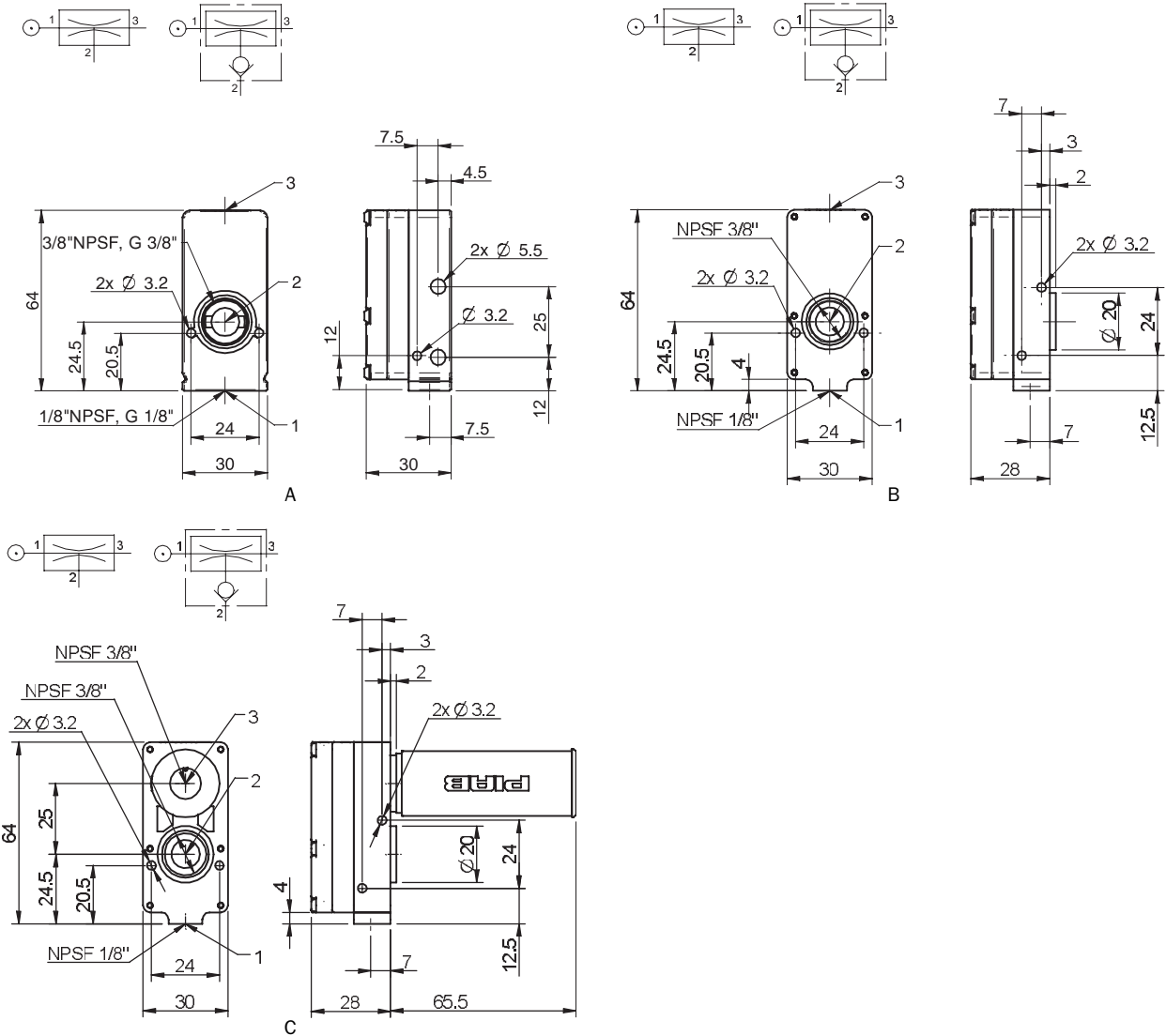
EVACUATION TIME

Feed pressure MPa	Air consumption NI/s	Evacuation time (s/l) to reach different vacuum levels (-kPa)									Max vacuum -kPa
		10	20	30	40	50	60	70	80	90	
0.40	1.6	0.055	0.20	0.40	0.65	0.97	1.4	1.9	2.7	5.1	93



ORDERING INFORMATION

Description	Art. No.
A Vacuum pump MINI X20L, conn. B1, NBR sealings	0103203
A Vacuum pump MINI X20L, conn. B1, NBR sealings, non-return valve	0103204
B Vacuum pump MINI X20L, conn. B, NBR sealings	3222278
B Vacuum pump MINI X20L, conn. B, NBR sealings, non-return valve	3222278A
C Vacuum pump MINI X20L, conn. C, NBR sealings	3222279
C Vacuum pump MINI X20L, conn. C, NBR sealings, non-return valve	3222279A



ORDERING INFORMATION, ACCESSORIES

Description	Art. No.
Sealing kit MINI 5-28, NBR	3201097
Sealing kit MINI 5-28, Viton®	3201097V
Sealing kit MINI 5-28, EPDM	3201097E

Sealing kits include flap valves, gaskets and compressed-air filters.

Vacuum pumps
MINI