

ELECTRICALLY CONTROLLED 2/2 VALVES DIP 55



- ▶ On/off valve
- ▶ 1/8" NPSF ports
- ▶ 0.6 W solenoid
- ▶ Electrical connections: plug-in contacts and DIN (c)
- ▶ Suitable for PIAB vacuum pumps up to Classic size.
- ▶ Manual override

TECHNICAL DATA

Description	Unit	Value
Feed pressure, range	MPa	0.4–0.7 MPa
Material		PPS, PA, TPU, AI, NBR, CuZn, PUR
Temperature range	°C	0–60
Weight	g	102
Connection compressed air		2 x NPSF 1/8"
Function		NC
Supply voltage	VDC	24
Display		LED
Flow, nominal	NI/s	8.6
Kv		7.8
Lifespan, mechanical	cycles	10,000,000
Power consumption	W	0.6
Load time rating	%	100
Bore-through diameter, nominal	mm	3.7

Electrical connections are included.

Compressed air, filtration 40µm, non-lubricated.

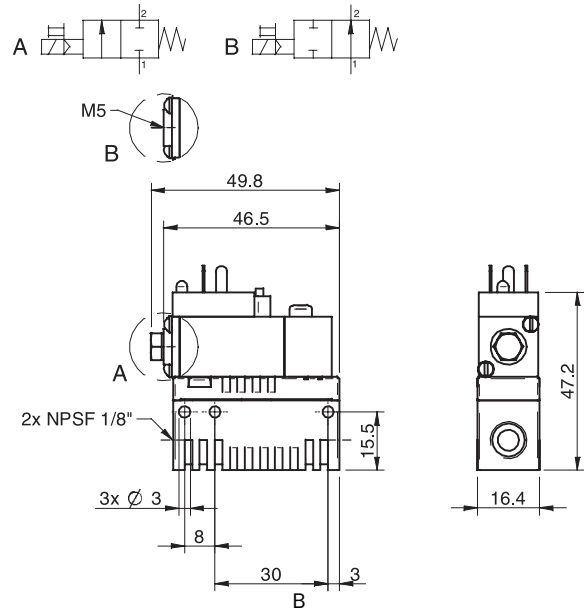
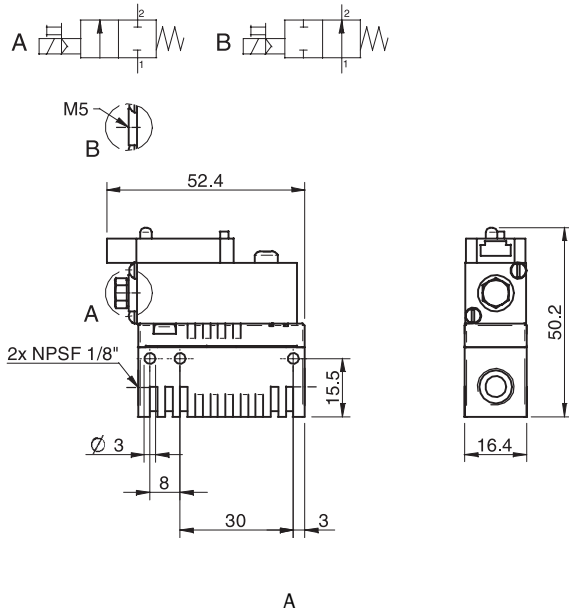
TECHNICAL DATA, SPECIFIC

Description	Value			
	0101016 DIP 55 NC 2406SE	0101071 DIP55 NC 2406 SD	0101017 DIP 55 NO 2406 SE	0101072 DIP 55 NO 2406 SD
Electrical connection	Plug-in connection *	DIN (c) *	Plug-in connection *	DIN (c) *
Safety specification	—	IP65	—	IP65

**) Electrical connections are included.* Electrical connections are to be ordered separately.*

ORDERING INFORMATION

	Description	Art. No.
A	Electrically controlled 2/2 valve DIP55 NC 2406 SE	0101016
A	Electrically controlled 2/2 valve DIP55 NO 2406 SE	0101017
B	Electrically controlled 2/2 valve DIP55 NC 2406 SD	0101071
B	Electrically controlled 2/2 valve DIP55 NO 2406 SD	0101072



Optimising controls