

OF70X175P



FLAT, OVAL SUCTION CUP WITH CLEATS

- ▶ Suitable for flat and rough surfaces.
- ▶ Fair stability and little inherent movement.
- ▶ Recommended when the lifting force is parallel to the surface of the object.
- ▶ Cleats prevent thin, sensitive objects from being deformed and give extra friction when the lifting force is parallel to the surface of the object.
- ▶ DURAFLEX® are suction cups manufactured in a specially developed material that features the elasticity of rubber and wear resistance of polyurethane. The material does not leave any marks on the objects handled.

LIFTING FORCES & TECHNICAL DATA

| Material | Lifting force vertical to the surface, N, at vacuum level | | | Lifting force parallel to the surface, N, at vacuum level | | | Volume cm ³ | Min. curve radius mm | Max. vertical movement mm | Weight rubber part g |
|----------|---|---------|---------|---|---------|---------|---------------------------|-------------------------|------------------------------|-------------------------|
| | 20 -kPa | 60 -kPa | 90 -kPa | 20 -kPa | 60 -kPa | 90 -kPa | | | | |
| PU40° | 190 | 530 | 785 | 170 | 440 | 630 | 80 | 130 | 5.7 | 193 |
| PU60° | 180 | 570 | 860 | 200 | 555 | 750 | 80 | 130 | 5.7 | 193 |

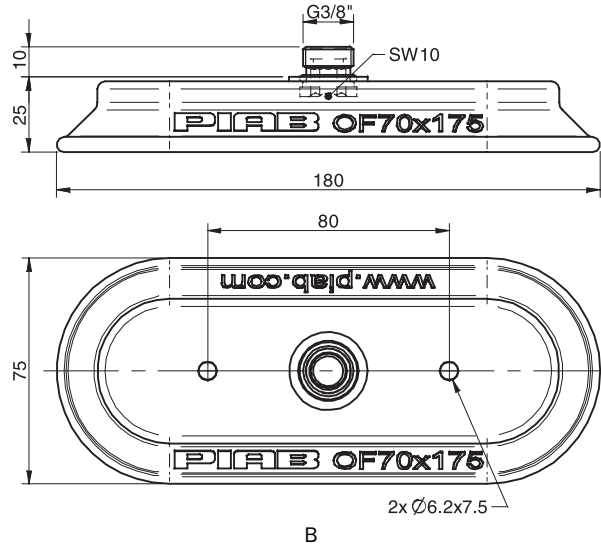
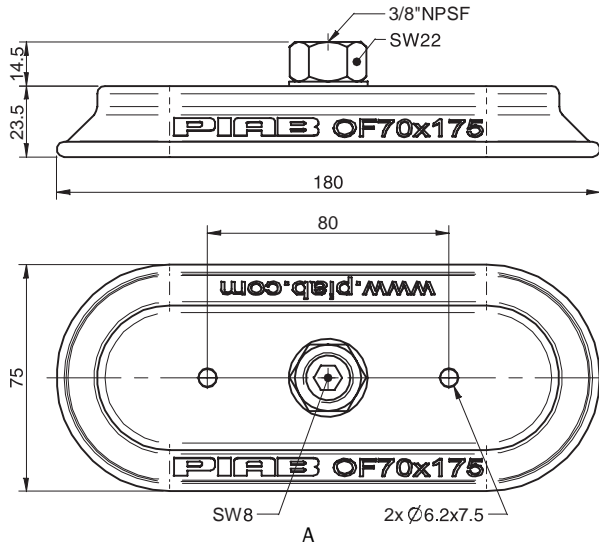
MATERIAL RESISTANCE

| Wear resistance | Oil | Weather & ozone | Hydrolysis | Petrol | Concentrated acids | Ethanol | Methanol | Oxidation |
|-----------------|-----------|-----------------|------------|--------|--------------------|---------|----------|-----------|
| Excellent | Excellent | Excellent | Fair** | Fair | Fair** | Fair | Poor | Poor |

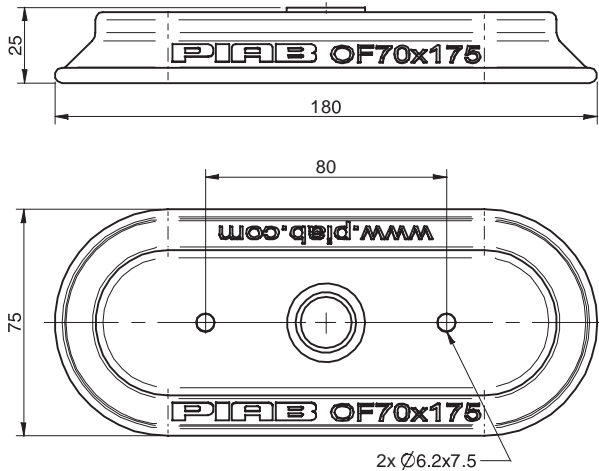
**Please contact Piab.

ORDERING INFORMATION

| Complete suction cups | | Art. No. |
|-----------------------|---|----------|
| A | Suction cup OF70x175P Polyurethane 40, 3/8" NPSF female | 0109855 |
| B | Suction cup OF70x175P Polyurethane 40, thread insert G3/8" male, with mesh filter | 0109854 |
| A | Suction cup OF70x175P Polyurethane 60, 3/8" NPSF female | 0108264 |
| B | Suction cup OF70x175P Polyurethane 60, thread insert G3/8" male, with mesh filter | 0108671 |



| Rubber parts | | Art. No. |
|---------------------------------------|--|----------|
| Suction cup OF70x175P Polyurethane 40 | | 0109911 |
| Suction cup OF70x175P Polyurethane 60 | | 0109910 |



| Fittings | | Art. No. |
|---|--|----------|
| Thread insert G3/8" male, with O-ring and mesh filter | | 0107148 |

Suction cups OF-P