

D50



DEEP SUCTION CUP

- ▶ Suitable for objects with curved or irregular surfaces.
- ▶ Grips around corners and edges.

LIFTING FORCES & TECHNICAL DATA

| Lifting force vertical to the surface, N, at vacuum level | | | Lifting force parallel to the surface, N, at vacuum level | | | Volume | Min. curve radius | Max. vertical movement | Weight rubber part |
|---|---------|---------|---|---------|---------|-----------------|-------------------|------------------------|--------------------|
| 20 -kPa | 60 -kPa | 90 -kPa | 20 -kPa | 60 -kPa | 90 -kPa | cm ³ | mm | mm | g |
| 36 | 78 | 98 | — | — | — | 15 | 25 | 10 | 18 |

MATERIAL SPECIFICATIONS

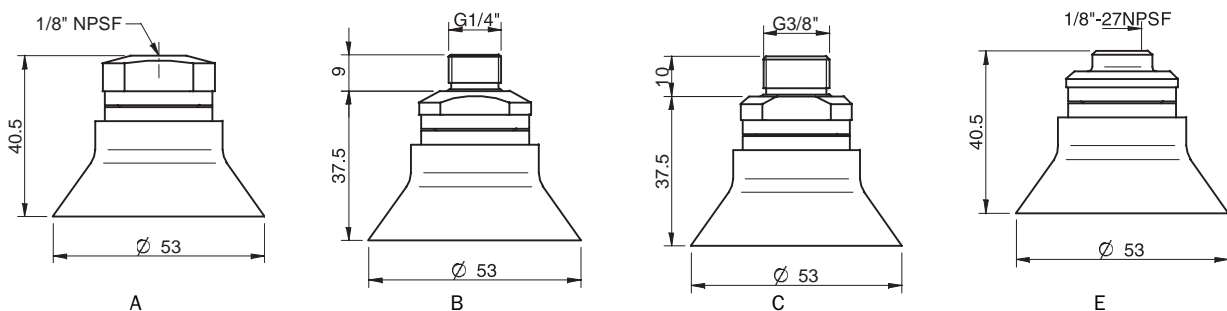
| Material | Colour | Hardness °Shore A | Temperature range °C |
|-----------------|--------|-------------------|----------------------|
| Chloroprene, CR | Black | 50 | -40-110 |
| Silicone, SIL | Red | 50 | -40-200 |

MATERIAL RESISTANCE

| Material | Wear resistance | Oil | Weather & ozone | Hydrolysis | Petrol | Concentrated acids | Alcohol | Oxidation |
|-----------------|-----------------|------|-----------------|------------|--------|--------------------|---------|-----------|
| Chloroprene, CR | Excellent | Fair | Good | Good | Fair | Poor | Good | Good |
| Silicone, SIL | Good | Poor | Excellent | Fair | Poor | Poor | Good | Excellent |

ORDERING INFORMATION

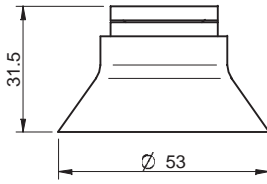
| | Complete suction cups | Art. No. |
|---|---|----------|
| A | Suction cup D50 Chloroprene, 1/8" NPSF female, with mesh filter | 0101727 |
| B | Suction cup D50 Chloroprene, G1/4" male, with mesh filter | 0101722 |
| C | Suction cup D50 Chloroprene, G3/8" male, with mesh filter | 0101724 |
| A | Suction cup D50 Silicone, 1/8" NPSF female, with mesh filter | 0101740 |
| B | Suction cup D50 Silicone, G1/4" male, with mesh filter | 0101735 |
| C | Suction cup D50 Silicone, G3/8" male, with mesh filter | 0101737 |
| E | Suction cup D50 Chloroprene, 1/8" NPSF female, PA | 0109841 |



SUCTION CUPS D



| Rubber parts | Art. No. |
|-----------------------------|----------|
| Suction cup D50 Chloroprene | 0101127 |
| Suction cup D50 Silicone | 0101128 |



| Fittings | Art. No |
|--|---------|
| Fitting 1/8" NPSF female, 50, with mesh filter | 0101154 |
| Fitting 1/8" NPSF female, 50, with dual flow control valve | 3251012 |
| Fitting G1/4" male, 50, with mesh filter | 3250092 |
| Fitting G1/4" male, with mesh filter and dual flow control valve | 3251013 |
| Fitting G3/8" male, 50, with mesh filter | 3250087 |
| Fitting G3/8" male, 50, with mesh filter and dual flow control valve | 3251015 |
| Fitting 5x1/8" NPSF female, 50 | 0100262 |
| Fitting 5x1/8" NPSF female, 50, with dual flow control valve | 3251017 |
| Fitting 1/8" NPSF female, 50, PA | 3150198 |

For further information and dimensioned drawings, see *SUCTION CUPS FITTINGS* chapter.

Suction cups
D