

## B110-2



### SUCTION CUP WITH SHORT BELLOWS AND FILTER

- ▶ Suitable for level adjustment. Several short bellows in one lifting device can handle objects with height differences and varying shapes, for example embossed or corrugated plates.
- ▶ Lifting movement to separate small and thin objects.
- ▶ Only lightweight objects should be handled when the lifting force is parallel to the surface of the object, in order to achieve good precision and safe lifting movement.

### LIFTING FORCES & TECHNICAL DATA

Lifting force vertical to the surface, N, at vacuum level			Lifting force parallel to the surface, N, at vacuum level			Volume	Min. curve radius	Max. vertical movement	Weight rubber part
20 -kPa	60 -kPa	90 -kPa	20 -kPa	60 -kPa	90 -kPa	cm <sup>3</sup>	mm	mm	g
137	343	461	—	—	—	310	60	35	120

### MATERIAL SPECIFICATIONS

Material	Colour	Hardness °Shore A	Temperature range °C
Nitrile-PVC, NPV	Black	50	0–90*
Silicone, SIL	Red	50	-40–200*

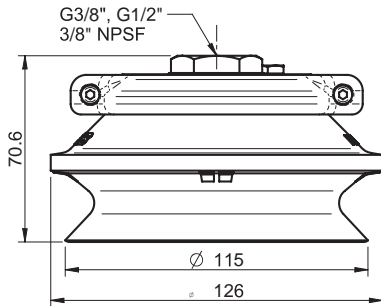
\* Filter disc max. 80 °C

### MATERIAL RESISTANCE

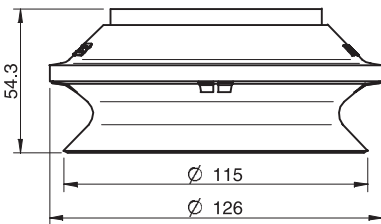
Material	Wear resistance	Oil	Weather & Ozone	Hydrolysis	Petrol	Concentrated acids	Alcohol	Oxidation
Nitrile-PVC, NPV	Excellent	Excellent	Good	Good	Excellent	Fair	Good	Good
Silicone, SIL	Good	Poor	Excellent	Fair	Poor	Poor	Good	Excellent

## ORDERING INFORMATION

Complete suction cups	Art. No.
Suction cup B110-2 Nitrile-PVC with filter, G3/8" female, with mesh filter	0101902
Suction cup B110-2 Nitrile-PVC with filter, 3/8" NPSF female, with mesh filter	0101903
Suction cup B110-2 Nitrile-PVC with filter, G1/2" female, with mesh filter	0101904
Suction cup B110-2 Silicone with filter, G3/8" female, with mesh filter	0101896
Suction cup B110-2 Silicone with filter, 3/8" NPSF female, with mesh filter	0101897
Suction cup B110-2 Silicone with filter, G1/2" female, with mesh filter	0101898



Rubber parts	Art. No.
Suction cup B110-2 Nitrile-PVC with filter	0101944
Suction cup B110-2 Silicone with filter	0101945



Fittings	Art. No.
Fitting 110 G3/8" female, with mesh filter	0100557
Fitting 110, G1/2" female, with mesh filter	0100561
Fitting 110, 3/8" NPSF female, with mesh filter	0100559

For further information and dimensioned drawings, see *SUCTION CUPS FITTINGS* chapter.

Spare Part	Material	Temperature range °C	Art. No.
Filter for B110-2	Polyethylene, PE	-40-80	3150249