

S.V. 750 DOUBLE FEEDING SERIES • 2/2

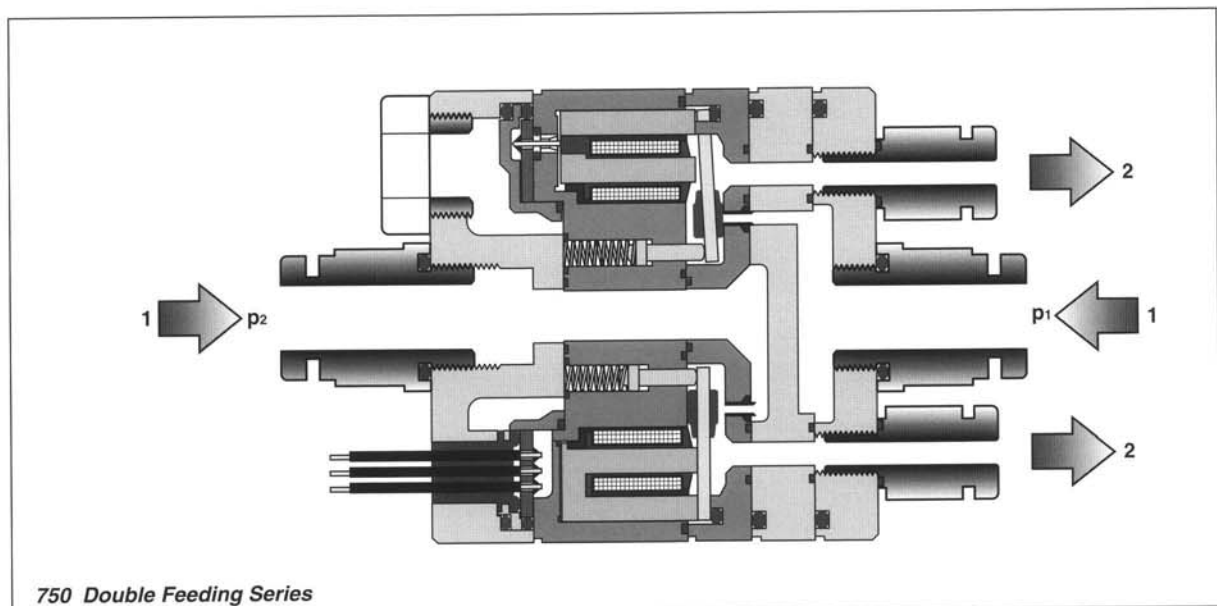
750 Series Double Feeding 2/2 encloses in a single body eight shutters, having NC configuration. This Series is characterized by two separated inputs, providing for the feeding of the 1, 3, 5, 7 outlets (feeding p_1) and 2, 4, 6, 8 outlets (feeding p_2). Such a configuration allows the management, in a small-sized compact single body, two groups of pneumatic users at differentiate pressure.

In the present model, all the innovations offered by Matrix technology (this combines special dynamic performance to the simplicity and reliability of manufacture) are present. Response times are of millisecond range, while operation life is over 500 million cycles.

With a speed-up kind control, dynamic characteristics are even more improved. Standard 24 VDC control solenoid valves have a response time lower than 5 ms in opening and than 2 ms in closing, with a maximum operation frequency 200 Hz. Speed-up control solenoid valves have a response time lower than 2 ms both in opening and in closing, with a maximum operation frequency of 300 Hz.

Besides high-speed characteristics, 750 Series solenoid valves offer flow rate values up to 100 l/minute (ANR) for every single outlet, with feeding pressure from 0 to 4 bar.

For 750 series, a lot of accessories is available, such as IP 52 or IP 56 connectors, manifolds with different positions and speed-up driver boards.



Advantages

- Compact dimension.
- Short response times.
- Insensitivity to frequency work and to vibrations.
- Low absorbed power.
- Precision, repetitiveness and flexibility.
- Long operating life.

Applications

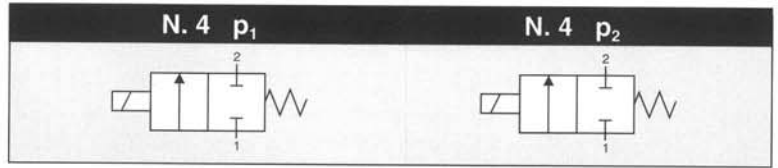
- Process and precision instrumentation.
- Robotics and industrial automation.
- Positioning systems.
- Pilot systems.

Materials

- Body in PPS.
- Flanges in Al.
- Seals in NBR (shutters in HNBR if required).



CONTROL: **DIRECT**



GENERAL CHARACTERISTICS

FLUID	Non-lubricated dry air, neutral gasesi (-10 + 50°C)		
FILTRATION RATING	Min 40 micron		
TEMPERATURE	- 10 + 50°C (Standard version)		
RESPONSE TIME IN OPENING	12 / 24 < 7 ms	JJ < 5 ms	XX / KK < 2 ms
RESPONSE TIME IN CLOSING	12 / 24 < 3 ms	JJ < 2 ms	XX / KK < 2 ms
MAXIMUM FREQUENCY	100 Hz	200 Hz	300 Hz
WEIGHT	350 g		
PRODUCT LIFE EXPECTANCY	≥ 500 M/s cycles		
IP RATING	IP 52 - IP 62 - IP 65		

IDENTIFICATION CODE

	H	X	7	5	8	8	E	Z	C	2	24
--	---	---	---	---	---	---	---	---	---	---	----

● **OUTLETS**

8	8 Outlets
---	-----------

● **FLOW RATE (at 6 bar)**

H	50 Nl/min
B	80 Nl/min
M	100 Nl/min (control tension JJ XX KK)

● **VERSION**

	Standard
H	HNBR Shutters

● **No. ELECTRICAL CONTROLS**

8	8 Controls
D	8 Controls / Integrated diodes with common 0 V
G	8 Controls / Integrated diodes with common 12 / 24 V

● **PORT CONNECTION**

0	Integrated cables IP 62 L = 500 mm
E	Presetting for Easy connection IP 52 - IP 65

● **SPECIAL PROTECTIONS**

	Only with EASY IP 65 port connection
M	Stainless steel (INOX) flanges
N	EPOX BLACK varnished flanges

● **FUNCTION**

C	NC
---	----

● **TYPE**

2	2/2
---	-----

● **CONTROL TENSION**

12	12 VDC ± 10 %	ED 100 %	1.4 W
24	24 VDC ± 10 %	ED 100 %	1.2 W
JJ	24 VDC ± 10 %	ED 100 % ⁽¹⁾	1.9 W
XX	Speed-up in current	ED 100 % ⁽¹⁾	—
KK	Speed-up in tension	ED 100 % ⁽¹⁾	—

(1) Only with Electronic Driver Boards PRB or UDB

● **OPERATING PRESSURE**

	RANGE	MODELS
Z	p ₁ 0 - 4 bar p ₂ 4 - 8 bar	All
X	On demand	Custom

