

Rotary Cylinder

SRJ-16,20,25,30,40

Character

- Rotary actuator of rack & pinion type
- A built in wearing provide long unit life
- Low friction seal provide high torque with envelope ratio
- End stopper for precise angular position
(Can use shock absorber instead of stopper)



Rack & pinion type

Rotation table

fast and economic positioning of the rotation table

Drive

double acting pneumatic cylinder

Body

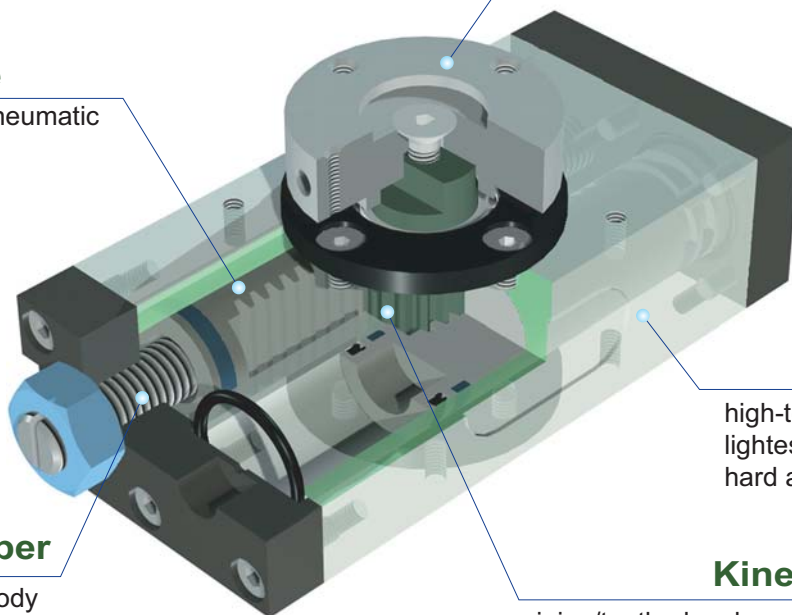
high-tensile aluminum body with lightest possible because of hard anodizing

Stop damper

direct cylinder body position inquiry

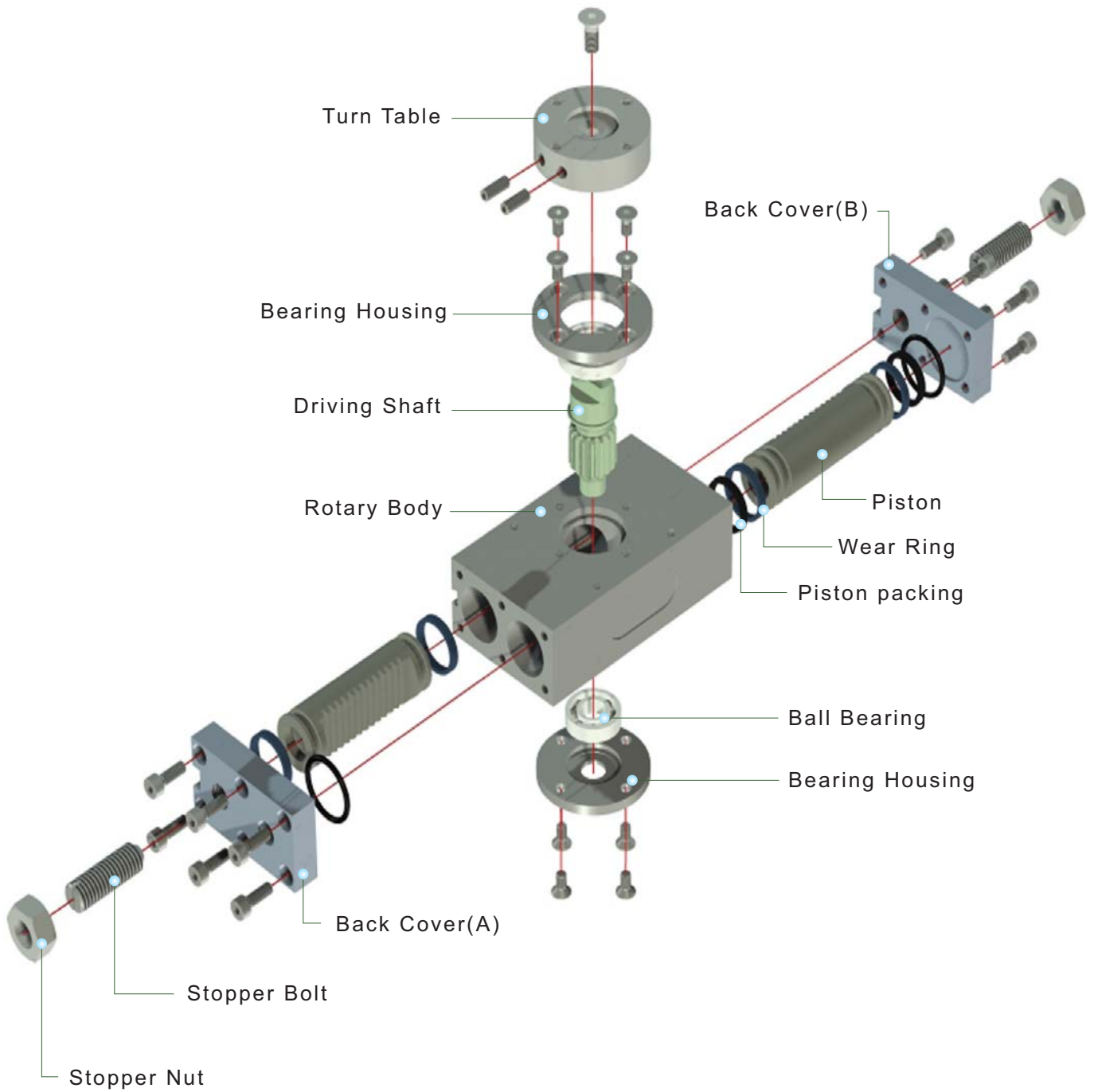
Kinetics

pinion/toothed rack system for low tolerance transmission of drive power in one rotation movement



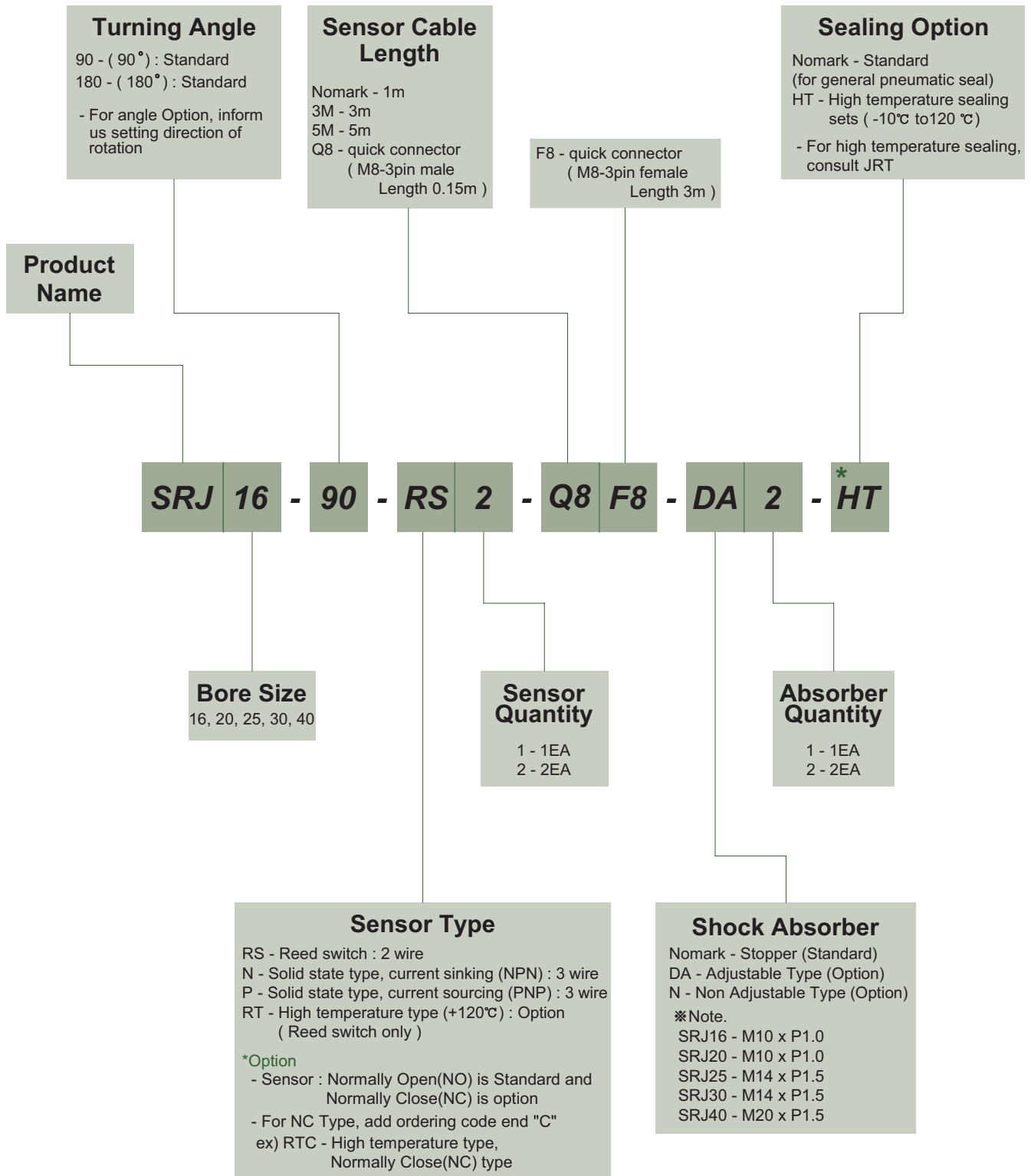
SRJ

Exploded view



SRJ

Ordering Code



The delivery of * mark option is longer than a standard, So inquire of JRT

SRJ

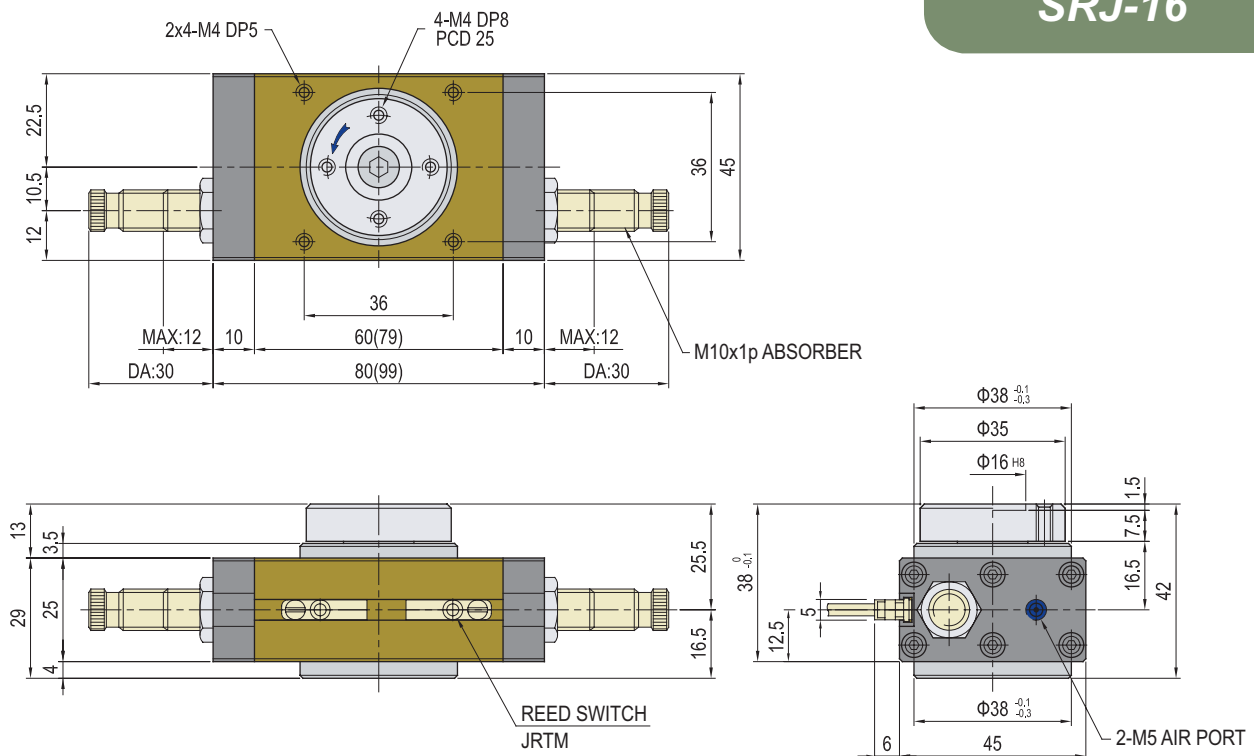
Specification

P=Air Pressure[bar]

Products Name	SRJ16	SRJ20	SRJ25	SRJ30	SRJ40	Unit
Actual Torque	0.093P	0.184P	0.327P	0.608P	1.480P	N.m
Radial payload	0.8	1.2	3.5	5.7	15	kg
Compress load(thrust)	0.8	1.2	3.5	5.7	15	kg
Tensile load(thrust)	0.6	1.0	3.0	4.5	8.0	kg
Weight(90°)	0.41	0.63	1.17	2.08	3.61	kg
Weight(180°)	0.47	0.80	1.37	2.45	4.33	kg
Turning Time(90°)	0.2 to 0.5	0.2 to 0.8	0.2 to 1.0	0.3 to 1.0	0.3 to 1.0	sec
Turning Time(180°)	0.3 to 0.7	0.3 to 1.0	0.3 to 1.5	0.5 to 1.5	0.5 to 1.5	sec
Fitting size	M5	PF(G) 1/8	PF(G) 1/8	PF(G) 1/8	PF(G) 1/8	
Air consumption(90°/180°)	3.8 / 7.6	7.4 / 14.8	13.1 / 26.2	24.3 / 48.6	59.2 / 118.4	cm ³
Cushion	Stopper or Absorber					
Repetition Accuracy	±0.1					degree
Operating pressure	3 to 7					bar
Ambient temperature	-5 to 60					°C
Lubrication	Needless					

* After 100 consecutive strokes to end positions

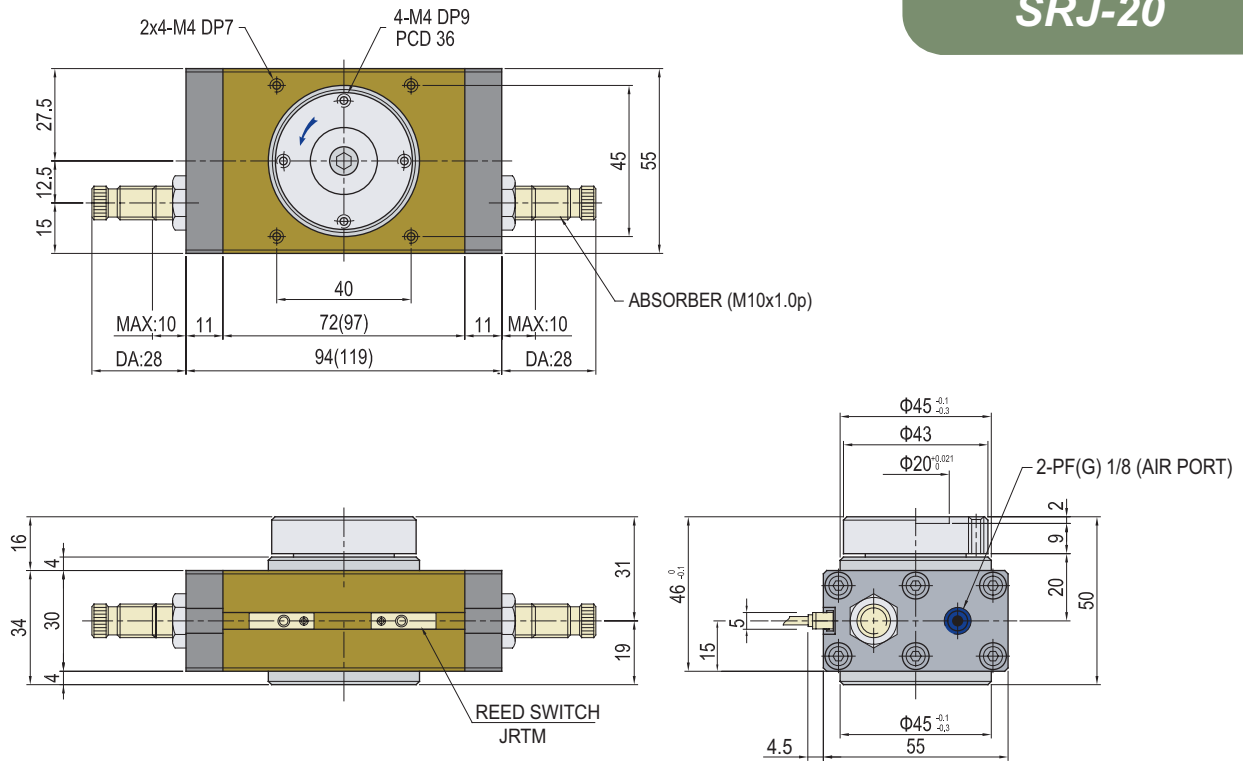
SRJ-16



*for () in number 180°

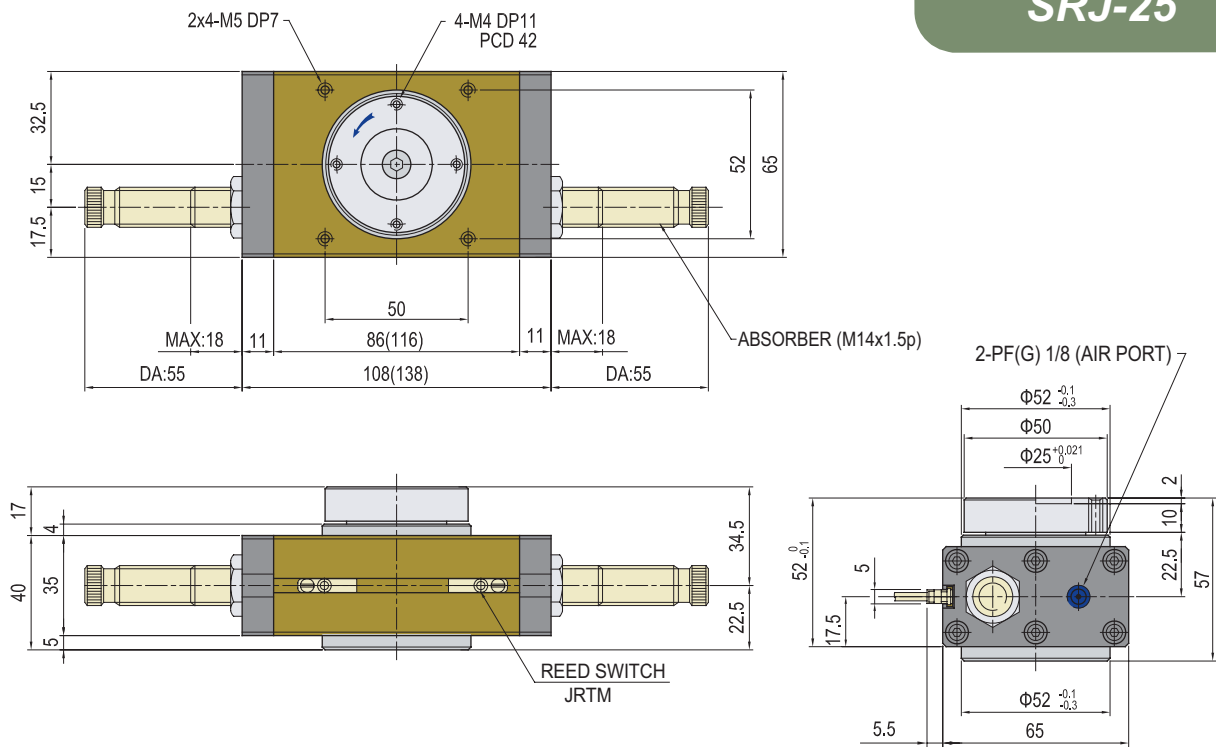
SRJ

SRJ-20



*for () in number 180°

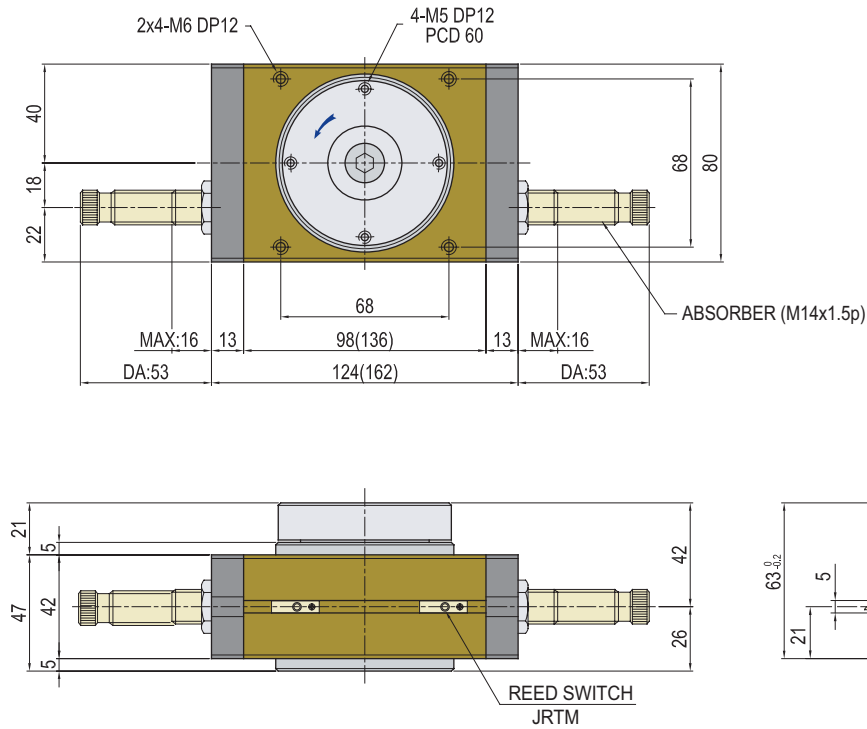
SRJ-25



*for () in number 180°

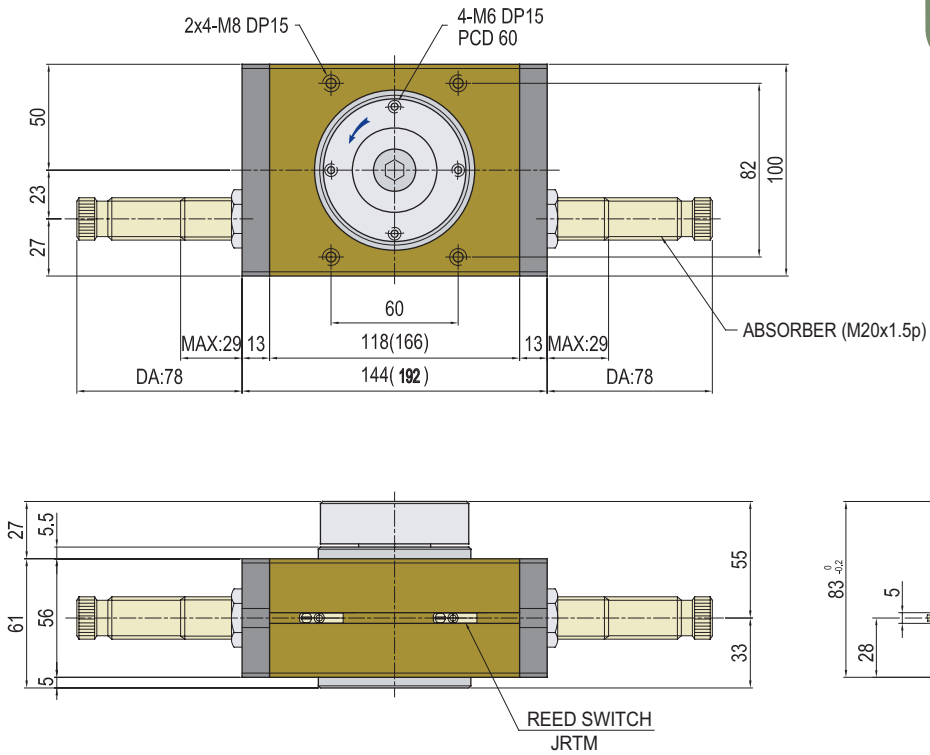
SRJ

SRJ-30



*for () in number 180°

SRJ-40



*for () in number 180°