

Gripper

AF04P-12N,16,20

Character

- Magnetic sensor is available for open-close sensing
- Suitable to grip a small and light workpiece
- Mounting possible from 3 sides
- Small and slim body allows parallel mounting of many grippers



Roller guide type

Kinetics

roller guide type precise gripping because of base jaw guides with small clearance

Positioning of sensor

for magnetic sensor

Base jaw

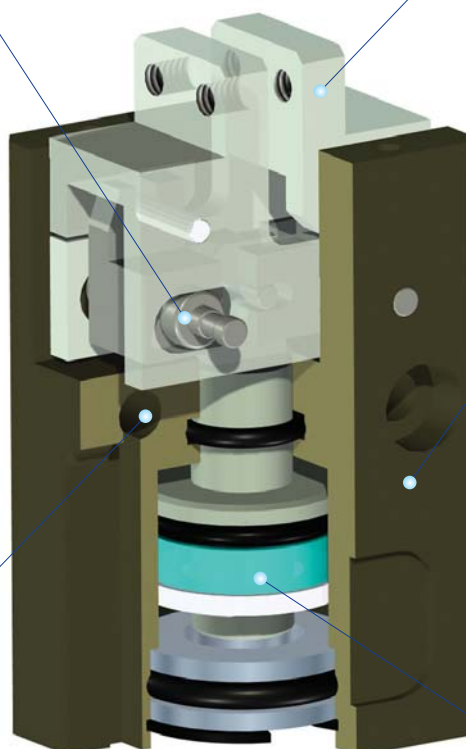
for fitting the workpiece specific gripper fingers

Body

high-tensile aluminum body with lightest possible because of hard anodizing

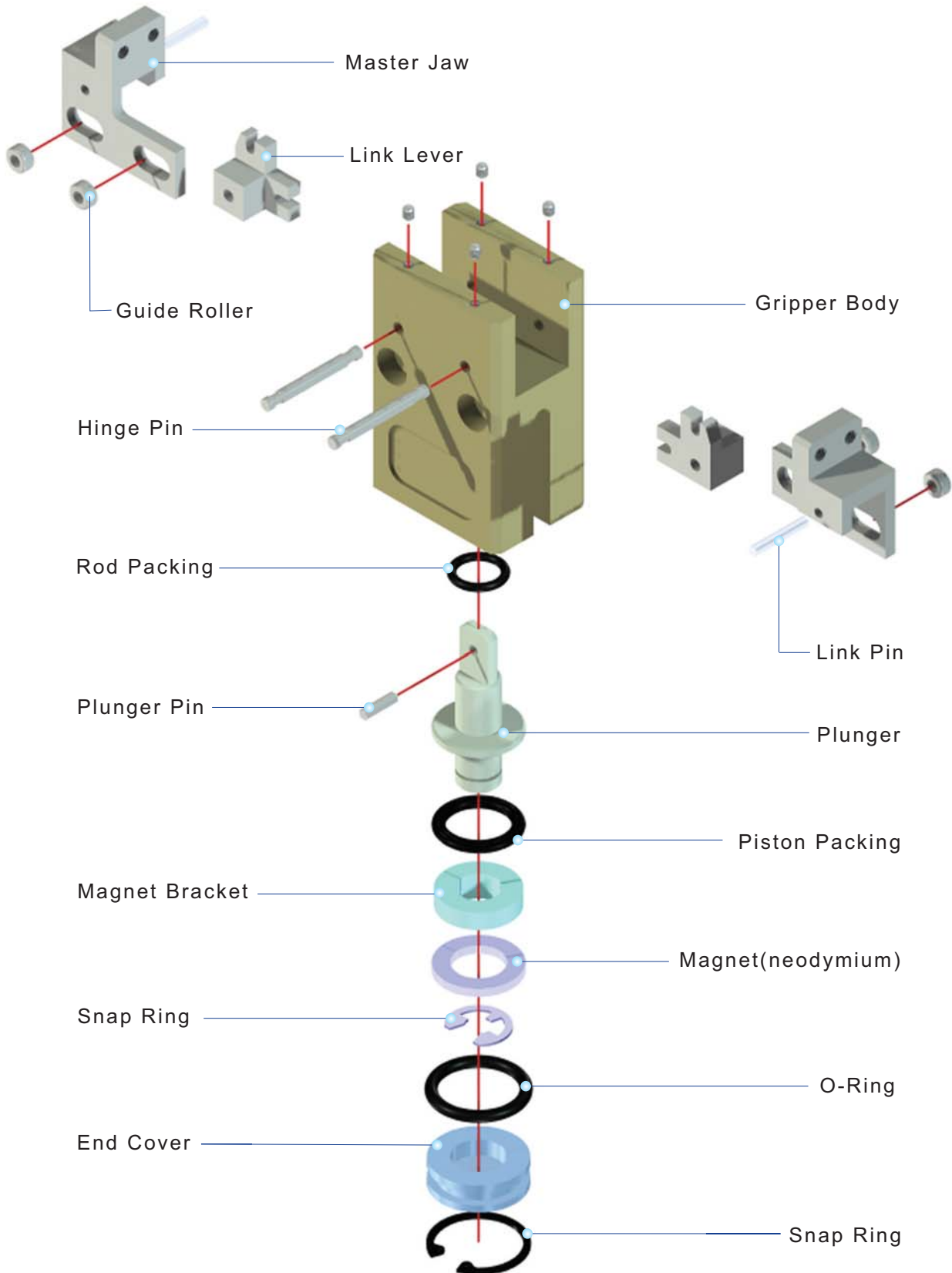
Drive

double acting pneumatic cylinder



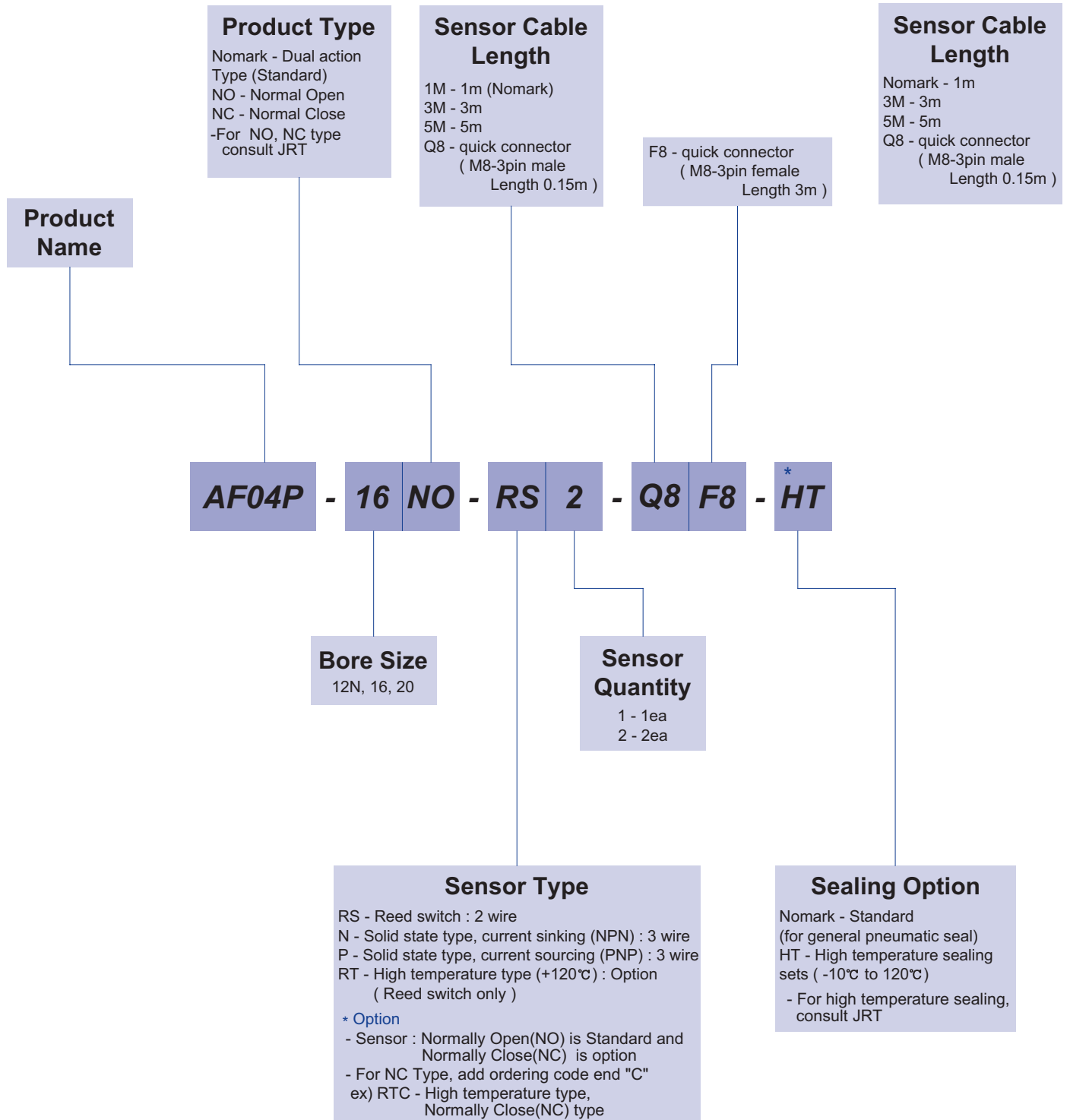
AF04P

Exploded view



AF04P

Ordering Code



The delivery of * mark option is longer than a standard, So inquire of JRT

AF04P

Specification

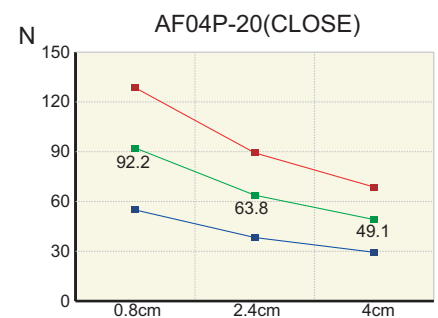
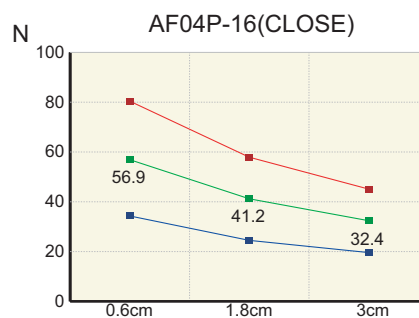
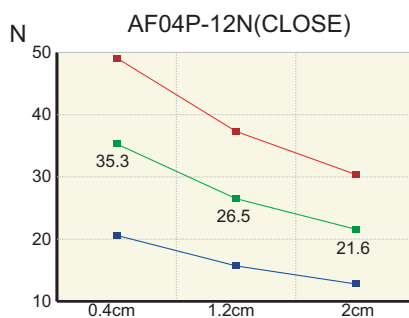
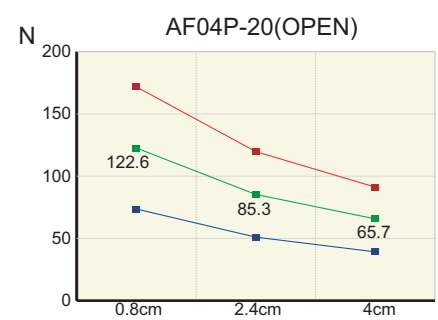
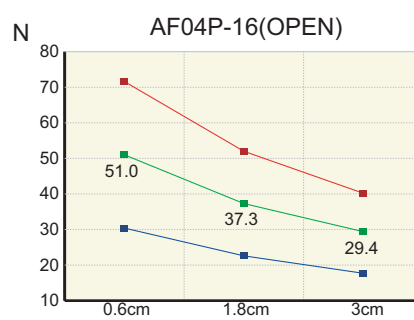
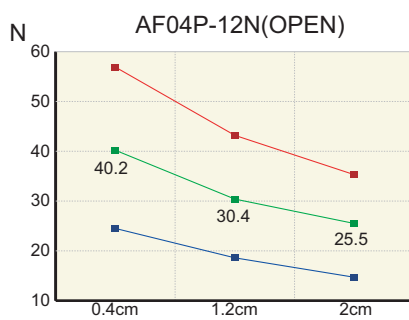
P=Air Pressure[bar] , L=Exertion length[mm]

Products Name	AF04P-12N	AF04P-16	AF04P-20	Unit
Stroke	5	5	8	mm
Weight	0.08	0.15	0.2	kg
Max. length of attach	20	30	40	mm
Fitting size	M5	M5	M5	
Gripping force:Open	$9.52P/(1+0.045L)$	$12.75P/(1+0.04L)$	$31.39P/(1+0.035L)$	N
Gripping force:Close	$8.24P/(1+0.046L)$	$14.22P/(1+0.04L)$	$23.54P/(1+0.035L)$	N
Air consumption per cycle	1.0	1.8	4.4	cm ³
Closing / Opening time	0.01 / 0.01	0.01 / 0.01	0.01 / 0.01	sec
* Repeat accuracy	0.01	0.01	0.01	mm
Max.cycle per minute	20	20	20	
Operating pressure	3~7			bar
Ambient temperature	-5 to 60			°C
Lubrication	Needless			

* After 100 consecutive strokes to end positions

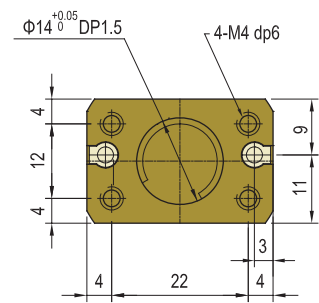
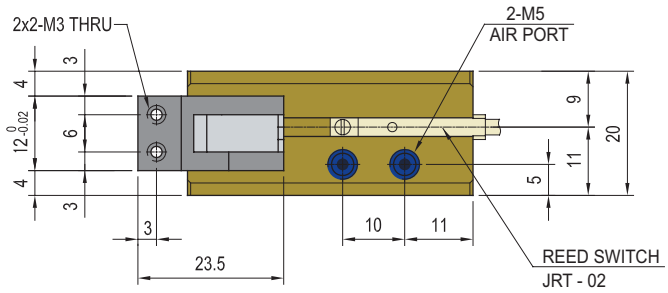
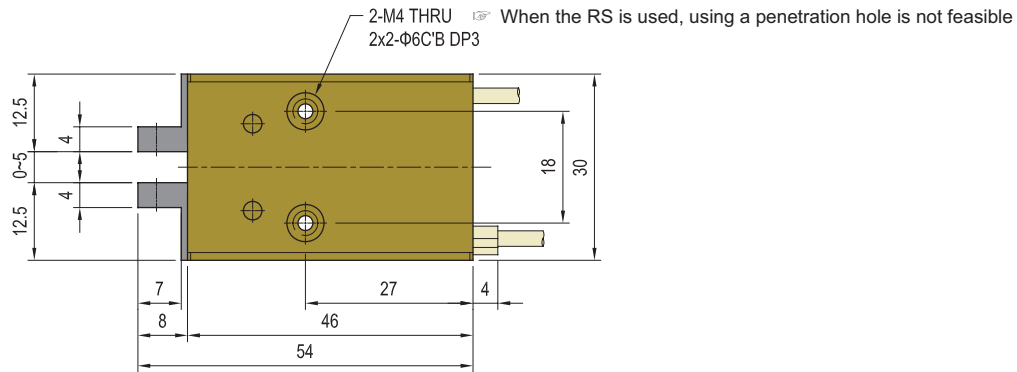
Gripping Force per exertion length

Legend : ■ 7[bar] ■ 5[bar] ■ 3[bar]

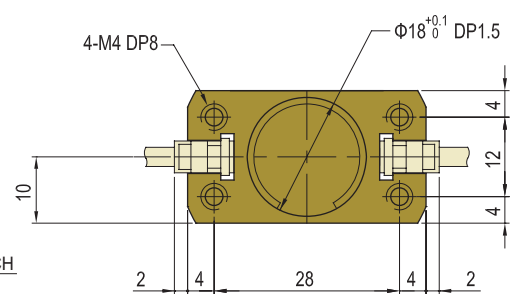
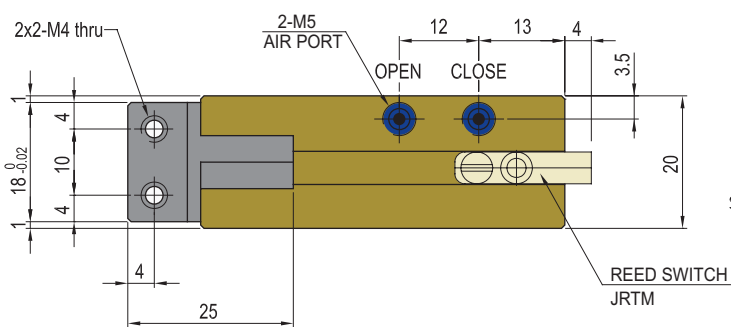
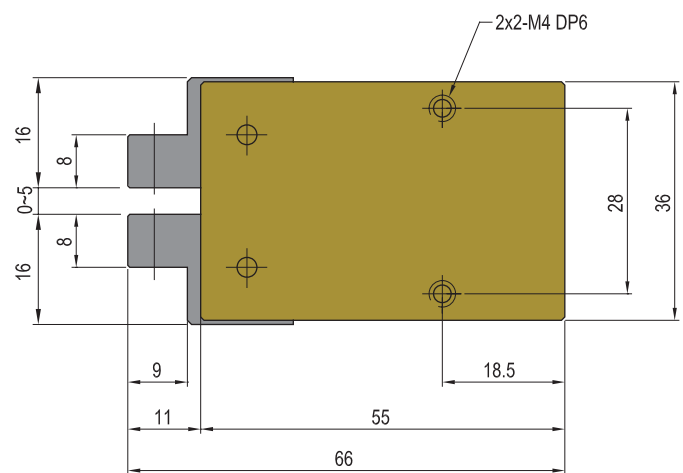


AF04P

AF04P-12N

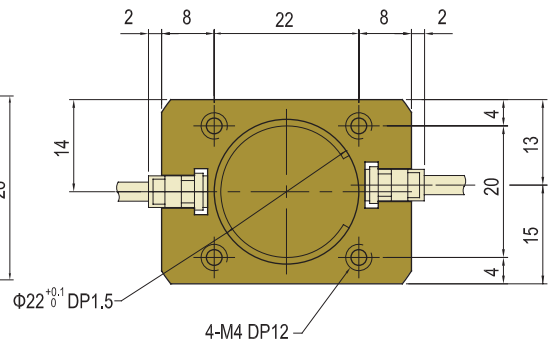
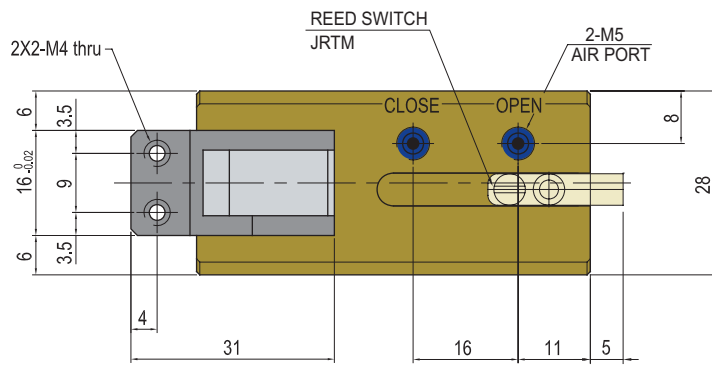
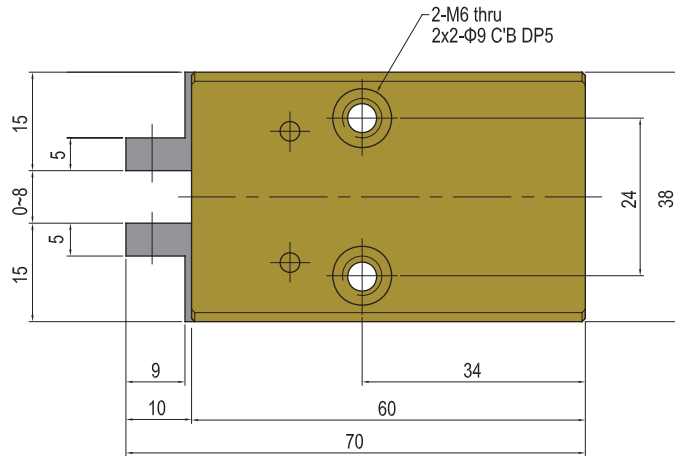


AF04P-16



AF04P

AF04P-20



Note