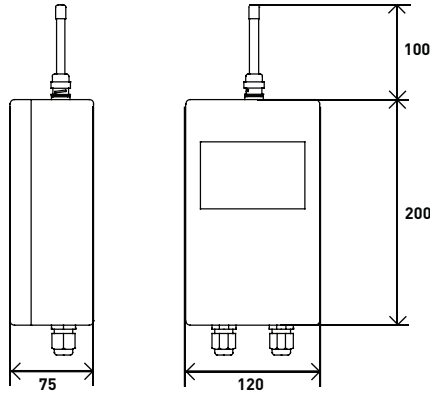




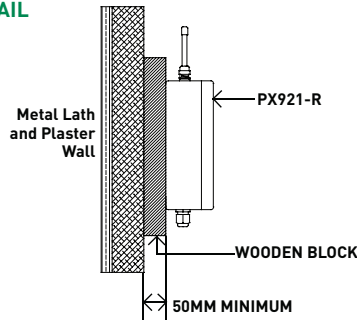
PROTRAN[®] RX9500

WIRELESS RECEIVER

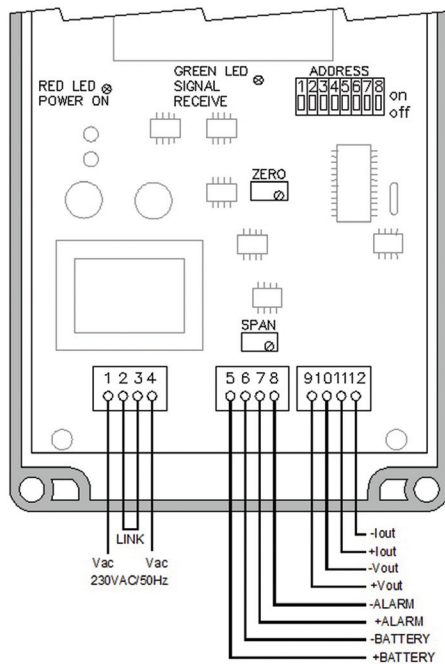
DIMENSIONS (in mm)



MOUNTING DETAIL



ELECTRICAL CONNECTIONS



SPECIFICATION

RADIO TYPE

UHF/FM receiver

SENSITIVITY

-110dBm (range of 200m light-of-sight)

IDENTIFICATION ADDRESS

8 Bit, 256 selectable combinations

COMMUNICATION WATCHDOG

128 seconds before alarm output is activated

ALARM OUTPUT

Open drain switch, maximum current 250mA

ANALOGUE OUTPUT

4-20mA, 0.2-2.0Vdc

OUTPUT COMPLIANCE

8.5Vdc

RESOLUTION

Better than 0.05% (12 Bit)

POWER REQUIREMENTS

10/240V, 50-60Hz or 10.5-30Vdc

CURRENT REQUIREMENTS

32mA_{dc}

HOUSING

High impact polycarbonate, rated to IP65

DIMENSIONS

200 x 120 x 75mm

WEIGHT

Approx. 2lbs

OPERATING TEMPERATURE

-10°C to +60°C

STORAGE TEMPERATURE

-20°C to +65°C

ANTENNA

¼ wave helical in plastic moulding

RF CONNECTOR

External BNC

CABLE ENTRY

IP65 nylon cable gland for cable diameter 4-8mm

ELECTRICAL CONNECTIONS

Screw terminal plug and socket.
Wire size from 0.5-1.5mm

DISCLAIMER : ESI Technology Ltd operates a policy of continuous product development. We reserve the right to change specification without prior notice. All products manufactured by ESI Technology Ltd are calibrated using precision calibration equipment with traceability to international standards.



t. +44(0)1978 262 255 e. sales@esi-tec.com

www.esi-tec.com