

E Series	Heat resistance	Application cylinder	SCA2-L2T (E0), SSD-T1L (ET0)
-----------------	-----------------	----------------------	-------------------------------------



E0



ET0



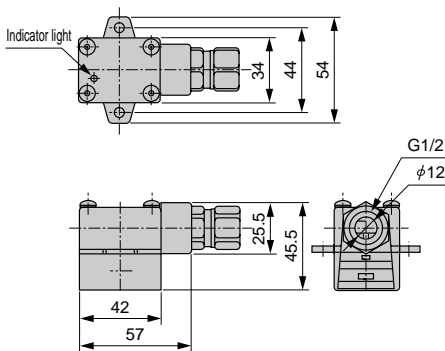
Refer to Intro 21 for details.
(Excluding E0)

Specifications

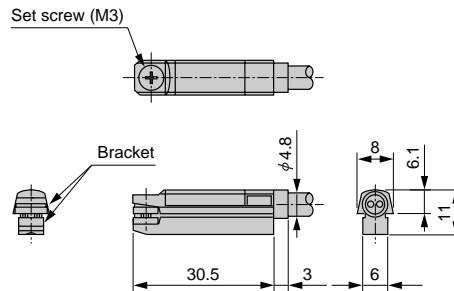
Descriptions	Reed 2 wire				
	E0			ET0	
Applications	Relay, programmable controller				
Load voltage	12/24 VDC	110 VAC	220 VAC	12/24 VDC	110 VAC
Load current	5 to 50mA	7 to 20mA	7 to 10mA	5 to 50mA	7 to 20mA
Internal voltage drop	4V or less			2.4V or less	
Leakage current	0mA				
Light	LED (ON lighting)				
Conduit	G1/2			-	
Lead wire	-			1m (heat resistance fluorine insulation cable 2 conductor 0.5mm ²)	
Insulation resistance	100MΩ and over with 500 VDC megger				
Withstand voltage	No failure impressed at 1500 VAC for one minute			No failure impressed at 1000 VAC for one minute	
Maximum shock resistance	294m/s ²				
Ambient temperature	-10 to + 120°C			-10 to + 150°C	
Protective structure	IEC standards IP67, JIS C0920 (water tight type), oil resistance				
Weight	160g			40g	

Dimensions

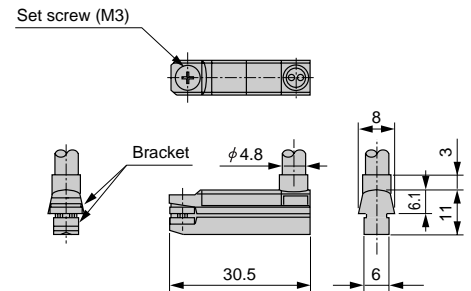
● E Series



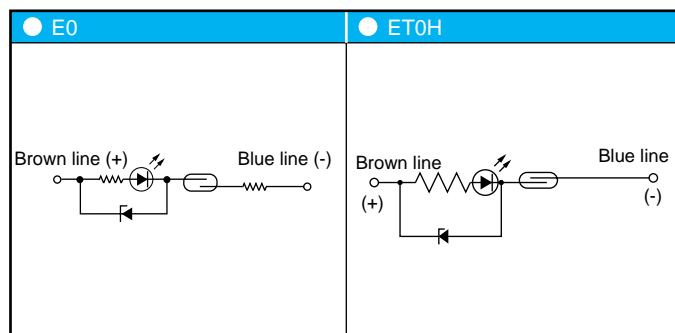
● ET0H Series (axial lead wire)



● ET0V Series (radial lead wire)



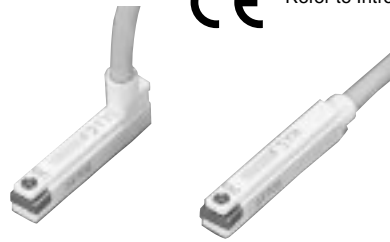
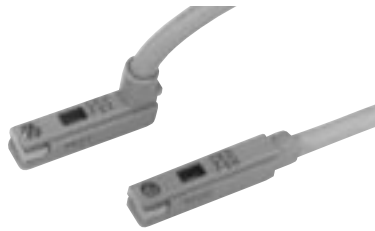
Switch internal circuit diagram



Ending

Cylinder switch

F Series	Application cylinder	LCS, LCG, LCM, MDC2, MSD, MSDG-L, MVC
-----------------	----------------------	---------------------------------------



Refer to Intro 21 for details.

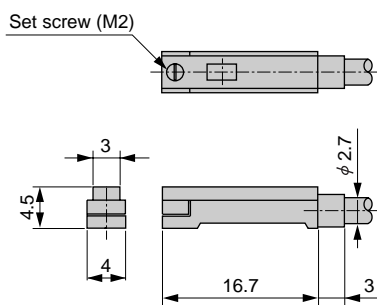
Specifications

Descriptions	Reed 2 wire		Proximity 2 wire		Proximity 3 wire	Proximity 3 wire
	F0H/V	F2H/V	F2YH/F2YV	F3H/V	F3YH/F3YV	
Applications	Programmable controller				Programmable controller, relay	
Output method	-				NPN output	
Power voltage	-				10 to 28 VDC	
Load voltage	24 VDC	10 to 30 VDC	24 VDC \pm 10%	30 VDC or less		
Load current	5 to 20mA (Note 1)				50mA or less	
Current consumption	-				10mA or less with 24 VDC	
Internal voltage drop	4V or less				0.5V or less	
Light	Yellow LED (ON lighting)		Red/green LED (ON lighting)	Yellow LED (ON lighting)	Red/green LED (ON lighting)	
Leakage current	1mA or less				10 μ A or less	
Lead wire length (standard)	Standard 1m (oil resistant vinyl cabtire cable 2 conductor 0.15mm ²)			Standard 1m (oil resistant vinyl cabtire cable 3 conductor 0.15mm ²)		
Maximum shock resistance	294m/s ²	980m/s ²				
Insulation resistance	20M Ω and over with 500 VDC megger					
Withstand voltage	No failure for one minute at 1000 VAC					
Ambient temperature	-10 to + 60°C					
Protective structure	IEC standards IP67, JIS C0920(water tight type), oil resistance					
Weight	1m: 10g 3m: 30g		1m: 20g 3m: 50g		1m: 10g 3m: 30g 1m: 20g 3m: 50g	

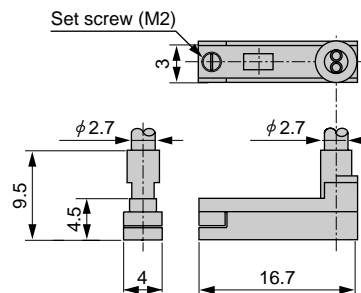
Note 1: The maximum load current 20mA is applied at 25°C. The current will be lower than 20mA if ambient temperature around switch is higher than 25°C. (5 to 10mA at 60°C.)

Dimensions

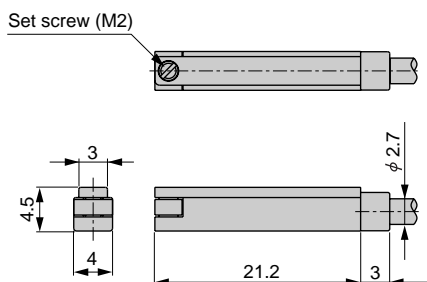
● F*H Series (axial lead wire)



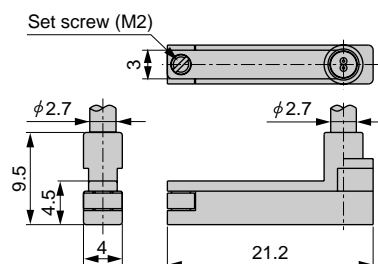
● F*V Series (radial lead wire)



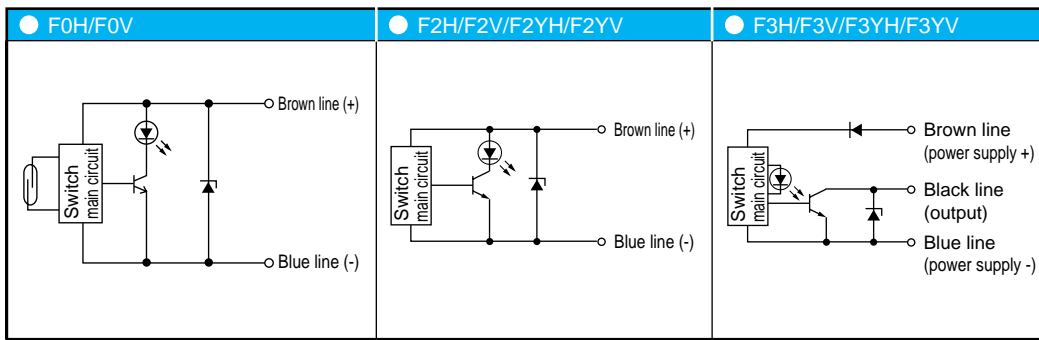
● F*YH Series (axial lead wire)



● F*YV Series (radial lead wire)



Switch internal circuit diagram



H Series	Strong magnetic field proof	Application cylinder	SCA2-L2, JSC3-L2, CAC3-L2, UCAC-L2
----------	-----------------------------	----------------------	------------------------------------



H0



H0Y



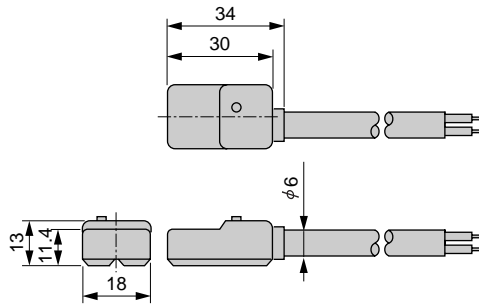
Refer to Intro 21 for details.

Specifications

Descriptions	Reed 2 wire	
	H0	H0Y (2 color indicator type)
Applications	Programmable controller, relay	
Load voltage	12/24 VDC	110 VAC
Load current	5 to 50mA	7 to 20mA
Internal voltage drop	5V or less	
Light	Green LED (ON lighting)	Red/green LED (ON lighting)
Leakage current	10 μ A or less	
Lead wire length	1m (flame resistance cable 2 conductor 0.5mm ²)	
Insulation resistance	100M Ω and over with 500 VDC megger	
Withstand voltage	No failure impressed at 1000 VAC for one minute	
Maximum shock resistance	294m/s ²	
Ambient temperature range	-10 to + 60°C	
Protective structure	IEC standards IP67, JIS C0920 (water tight type), oil resistance	
Weight	1m: 80g 3m: 180g 5m: 270g	

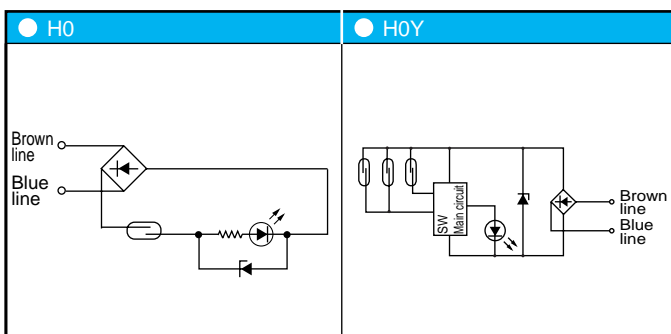
Dimensions

- H Series (strong magnetic field proof)

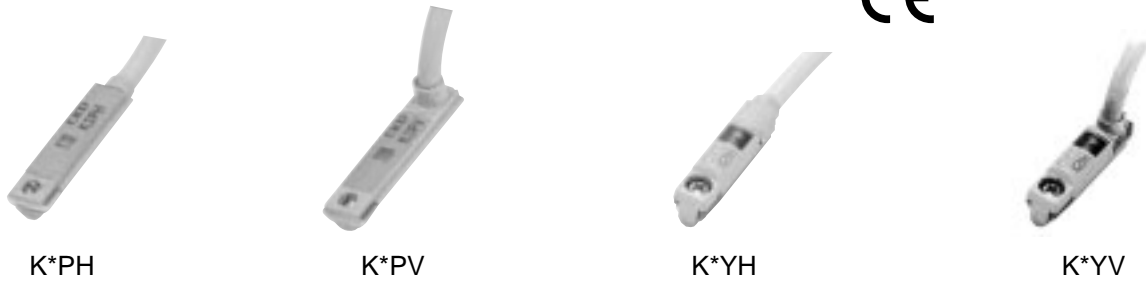
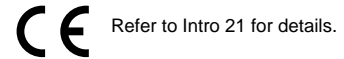


Ending

Switch internal circuit diagram



K Series	1 color/2 color indicator	Application cylinder	SMD2, STR2, LCY
----------	---------------------------	----------------------	-----------------



Specifications

Descriptions	Proximity 2 wire		Proximity 3 wire		
	K2H/K2V	K2YH/K2YV	K3H/V (NPN output type)	K3PH/V (PNP output type)	K3YH/V (2 color indicator type)
Applications	Programmable controller		Programmable controller, relay		
Output method	-		NPN output	PNP output	NPN output
Power voltage	-		10 to 28 VDC		
Load voltage	10 to 30 VDC		30 VDC or less		
Load current	5 to 20mA (Note 1)		50mA or less		
Current consumption	-		10mA or less with 24 VDC	12mA or less with 24 VDC	10mA or less with 24 VDC
Internal voltage drop	4V or less		0.5V or less		
Light	LED (ON lighting)	Red/green LED (ON lighting)	LED (ON lighting)	Yellow LED (ON lighting)	Red/green LED (ON lighting)
Leakage current	1mA or less		10 μ A or less		
Lead wire length	1m (oil resistant vinyl cable 2 conductor 0.3mm ²)	1m (oil resistant vinyl cable 2 conductor 0.3mm ²)	1m (oil resistant vinyl cable 3 conductor 0.2mm ²)		
Maximum shock resistance	980m/s ²				
Insulation resistance	20M Ω and over with 500 VDC megger	100M Ω and over with 500 VDC megger	20M Ω and over with 500 VDC megger	100M Ω and over with 500 VDC megger	
Withstand voltage	No failure impressed at 1000 VAC for one minute				
Ambient temperature	-10 to + 60°C				
Protective structure	IEC standards IP67, JIS C0920 (water tight type), oil resistance				
Weight	1m: 20g 3m: 50g 5m: 80g	1m: 30g 3m: 90g 5m: 140g	1m: 20g 3m: 50g 5m: 80g	1m: 30g 3m: 90g 5m: 140g	

Descriptions	Reed 2 wire			
	K0H/K0V		K5H/K5V	
Applications	Programmable controller, relay		Programmable controller, relay, IC circuit (without light), serial connection	
Power voltage	-			
Load voltage	12/24 VDC	110 VAC	5/12/24 VDC	110 VAC
Load current	5 to 50mA	7 to 20mA	50mA or less	20mA or less
Current consumption	-			
Internal voltage drop	3V or less		0V	
Light	LED (ON lighting)		-	
Leakage current	0mA			
Lead wire length	1m (oil resistant vinyl cable 2 conductor 0.2mm ²)			
Maximum shock resistance	294m/s ²			
Insulation resistance	20M Ω and over with 500 VDC megger			
Withstand voltage	No failure impressed at 1000 VAC for one minute			
Ambient temperature	-10 to + 60°C			
Protective structure	IEC standards IP67, JIS C0920 (water tight type), oil resistance			
Weight	1m: 20g 3m: 50g 5m: 80g			

Note 1: Maximum load current above: Applies at 25°C. The current will be lower than 20mA if ambient temperature around switch is higher than 25°C. (5 to 10mA at 60°C.)

Note 2: Installation of K3PH, K3PV onto applicable cylinders is a custom order.

K Series	With preventive maintenance output	Application cylinder	SMD2, STR2, LCY
-----------------	------------------------------------	----------------------	-----------------



K*YFH



K*YFV

Specifications

Descriptions	Proximity 3 wire	Proximity 4 wire	Proximity 3 wire	Proximity 4 wire	
	K2YF H/V	K3YF H/V	K2YM H/V	K3YM H/V	
Applications	Programmable controller	Programmable controller, relay	Programmable controller	Programmable controller, relay	
Output method	NPN output				
Light	Installation position adjustment	Red/green LED (ON lighting)			
	Preventive maintenance output	-		Yellow LED ON lighting	
Output section	Power voltage	-	10 to 28 VDC	-	10 to 28 VDC
	Load voltage	10 to 30 VDC	30 VDC or less	10 to 30 VDC	30 VDC or less
	Load current	5 to 20mA	50mA or less	5 to 20mA	50mA or less
	Internal voltage drop	4V or less	0.5V or less	4V or less	0.5V or less
	Current consumption	-	10mA or less	-	10mA or less
	Leakage current	1mA or less	10 μ A or less	1.2mA or less	10 μ A or less
Preventive maintenance output	Load voltage	30 VDC or less			
	Load current	20mA or less	50mA or less	5 to 20mA	50mA or less
	Internal voltage drop	0.5V or less		4V or less	2.4V or less
	Leakage current	10 μ A or less			
	Signal holding (Ton)	-	-	After 0.4 \pm 0.2sec from installation position adjustment section red LED lighting	
Signal release (Toff)	-	-	After 0.7 \pm 0.2sec from installation position adjustment section green LED lighting		
Lead wire length	1m (oil resistant vinyl cabtire cable 3 conductor 0.2mm ²)	1m (oil resistant vinyl cabtire cable 4 conductor 0.2mm ²)	1m (oil resistant vinyl cabtire cable 3 conductor 0.2mm ²)	1m (oil resistant vinyl cabtire cable 4 conductor 0.2mm ²)	
Maximum shock resistance	100M Ω and over with 500 VDC megger				
Insulation resistance	No failure impressed at 1000 VAC for one minute				
Withstand voltage	980m/s ²				
Ambient temperature	-10 to + 60°C				
Protective structure	IEC standards IP67, JIS C09020 (water tight type), oil resistance				
Weight	1m: 30g 3m: 90g 5m: 140g				

Note 1: Maximum load current above: Applies at 25°C. The current will be lower than 20mA if ambient temperature around switch is higher than 25°C. (5 to 10mA at 60°C.)

Ending

Cylinder switch

M Series	Application cylinder	SCP*2/FC*/RV*/SRL2/SRG/SRT/SRB2
-----------------	----------------------	--

CE Refer to Intro 21 for details.



M*V



M*H

Specifications

Descriptions	Proximity 2 wire		Proximity 3 wire		
	M2V/M2H	M2WV (2 color indicator type)	M3H/V (NPN output type)	M3PH/V (PNP output type)	M3WV (2 color indicator type)
Applications	Programmable controller		Programmable controller, relay, IC circuit, small solenoid valve		
Output method	-		NPN output	PNP output	NPN output
Power voltage	-		4.5 to 28 VDC		10 to 28 VDC
Load voltage	10 to 30 VDC		30 VDC or less		
Load current	5 to 30mA		200mA or less	100mA or less	150mA or less
Current consumption	-		10mA or less with 24 VDC	12mA or less with 24 VDC	15mA or less with 24 VDC
Internal voltage drop	4V or less		0.5V or less		
Light	LED (ON lighting)	Red/green LED (ON lighting)	LED (ON lighting)	Yellow LED (ON lighting)	Red/green LED (ON lighting)
Leakage current	1mA or less		10 μA or less	0.05mA or less	10 μA or less
Lead wire length	1m (oil resistant vinyl cabtire cable 2 conductor 0.2mm ²)		1m (oil resistant vinyl cabtire cable 3 conductor 0.15mm ²)		
Maximum shock resistance	980m/s ²				
Insulation resistance	100MΩ and over with 500 VDC megger				
Withstand voltage	No failure impressed at 1000 VAC for one minute				
Ambient temperature	-10 to + 60°C				
Protective structure	IEC standards IP67, JIS C0920 (water tight type), oil resistance				
Weight	1m: 20g 3m: 60g 5m: 90g		1m: 20g 3m: 60g 5m: 90g		

Descriptions	Reed 2 wire			
	M0V/M0H		M5V/M5H	
Applications	Programmable controller, relay		Programmable controller, relay, IC circuit (without light), serial connection	
Power voltage	-			
Load voltage	12/24 VDC	110 VAC	5/12/24 VDC	110 VAC
Load current	5 to 50mA	7 to 20mA	50mA or less	20mA or less
Current consumption	-			
Internal voltage drop	3V or less		0V	
Light	LED (ON lighting)		Without indicator light	
Leakage current	0mA			
Lead wire length	1m (oil resistant vinyl cabtire cable 2 conductor 0.2mm ²)			
Maximum shock resistance	294m/s ²			
Insulation resistance	100MΩ and over with 500 VDC megger			
Withstand voltage	No failure impressed at 1000 VAC for one minute			
Ambient temperature	-10 to + 60°C			
Protective structure	IEC standards IP67, JIS C0920 (water tight type), oil resistance			
Weight	1m: 20g 3m: 60g 5m: 90g			

Note 1: M*H is available for SRL2, SRG, SRT and SRB2.

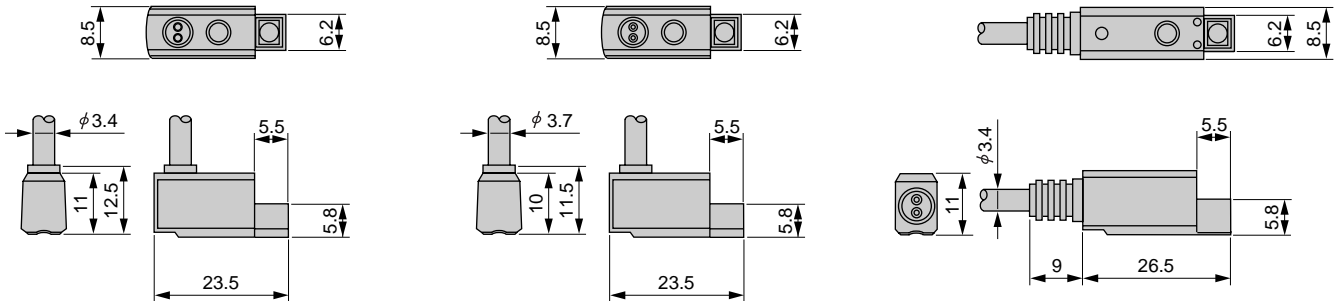
Note 2: Please refer to the pages that each cylinder model is listed about model no. cylinder switch.

Dimensions

● M*V Series (radial lead wire)

● M*W Series (2 color indicator type, radial lead wire)

● M*H Series (axial lead wire)



Switch internal circuit diagram

● M2V/M2H/M2WV	● M3V/M3H/M3WV	● M3PV/M3PH	● M0V/M0H
<p>Brown line (+) Blue line (-)</p>	<p>Brown line (power supply +) Black line (output) Blue line (power supply -)</p>	<p>Brown line (power supply +) Black line (output) Blue line (power supply -)</p>	<p>Blue line (-) Brown line (+)</p>
● M5V/M5H			
<p>Brown line Blue line</p>			

R Series	Application cylinder	CMA2, SCA2, SCS, HCA, JSM2, JSC3, MFC, CAV2, COV2, GLC, SHC, USC
-----------------	----------------------	--

CE Refer to Intro 21 for details.



R*/R*Y



R*B



R*A

Specifications

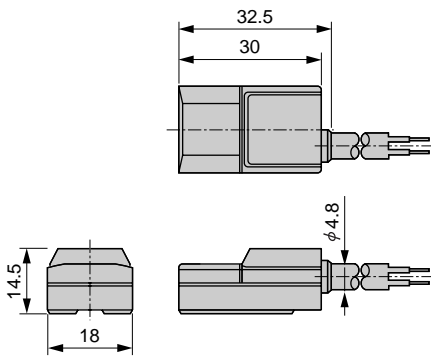
Descriptions	Proximity 2 wire			Proximity 3 wire	
	R1/R1K	R2/R2K	R2Y/R2YK (2 color indicator type)	R3/R3K	R3Y/R3YK (2 color indicator type)
Applications	Programmable controller, relay, small solenoid valve		Programmable controller	Programmable controller, relay, IC circuit, solenoid valve	
Output method	-			NPN output	
Power voltage	-		-	4.5 to 28 VDC	
Load voltage	85 to 265 VAC	10 to 30 VDC		30 VDC or less	30 VDC or less
Load current	5 to 100mA	5 to 30mA		200mA or less	150mA or less
Current consumption	-		-	With 24 VDC (ON lighting)	
				10mA or less	16mA or less
Internal voltage drop	7V or less	4V or less		0.5V or less at 150mA	0.5V or less
Light	LED (ON lighting)		Red/green LED (ON lighting)	LED (ON lighting)	Red/green LED (ON lighting)
Leakage current	1mA or less with 100 VAC 2mA or less with 200 VAC	1mA or less	1.2mA or less	10 μA or less	
Lead wire length	1m (oil resistant vinyl cable 2 conductor 0.3mm ²)			1m (oil resistant vinyl cable 3 conductor 0.2mm ²)	
Maximum shock resistance	980m/s ²				
Insulation resistance	20MΩ and over with 500 VDC megger				
Withstand voltage	No failure impressed at 1500 VAC for one minute	No failure impressed at 1000 VAC for one minute			
Ambient temperature	-10 to + 60°C				
Protective structure	Grommet type: IEC standards IP67, JIS C0920 (water tight type), oil resistance				
Option	Terminal box R*A (IP64), terminal box R*B (no water proof)				
Weight	1m: 40g 3m: 100g 5m: 160g			1m: 60g 3m: 110g 5m: 170g	

Descriptions	Reed 2 wire									
	R0			R4		R5			R6	
Applications	Relay, programmable controller			High capacity relay, solenoid valve		Programmable controller, relay, IC circuit (w/o indicator light), serial connection			Programmable controller (With DC self hold)	
Power voltage	-			-		-			-	
Load voltage	12/24 VDC	110 VAC	220 VAC	110 VAC	220 VAC	5/12/24 VDC	110 VAC	220 VAC	24 VDC	
Load current	5 to 50mA	7 to 20mA	7 to 10mA	20 to 200mA	10 to 200mA	50mA or less	20mA or less	10mA or less	5 to 50mA	
Current consumption	-			-		-			-	
Internal voltage drop	2.4V or less			2V or less		0V			5V or less	
Light	LED (ON lighting)			Neon light OFF (OFF lighting)		None			LED (ON lighting)	
Leakage current	0mA			1mA or less		0mA			0.1mA or less	
Lead wire length	1m (oil resistant vinyl cable 2 conductor 0.3mm ²)									
Maximum shock resistance	294m/s ²									
Insulation resistance	20MΩ and over with 500 VDC megger									
Withstand voltage	No failure impressed at 1500 VAC for one minute									
Ambient temperature	-10 to + 60°C									
Protective structure	Grommet type: IEC standards IP67, JIS C0920 (water tight type), oil resistance									
Option	Terminal box R*A (IP64), terminal box R*B (no water proof)									
Weight	1m: 40g 3m: 100g 5m: 160g									

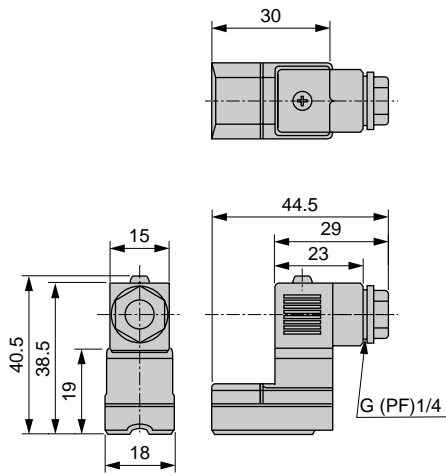
Note: For proximity switch SCS/JSC3 (large bore size), "K" is indicated at the end of model number. (e.g.) R1K, R2K, R3K, R2YK, R3YK

Dimensions

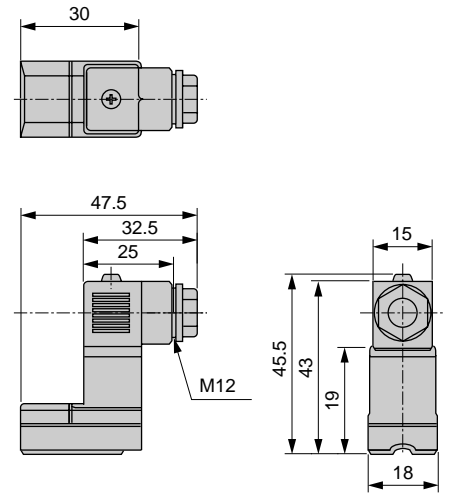
● R Series (grommet type)



● R Series (terminal box R*B type)



● R Series (terminal box R*A type)



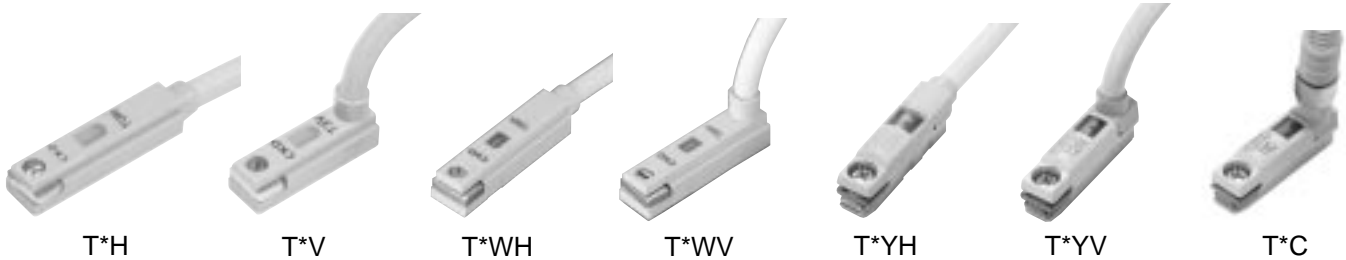
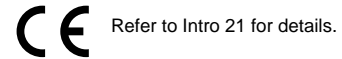
Switch internal circuit diagram

● R1	● R2/R2Y	● R3/R3Y	
● R0	● R4	● R5	● R6

Ending

Cylinder switch

T Series	1 color/2 color indicator	Application cylinder	CMK2, SCM, SCG, CKV2, SSD, JSG, ULK, JSK2, STG, STS/STL, SRM, MRL2, MRG2, UCA2, STK, LCS, LCG, LCT, UCAC, HCM, CSC3, RRC, Hand-chuck
----------	---------------------------	----------------------	--



Specifications

Descriptions	Proximity 2 wire						Proximity 3 wire			
	T1H/T1V	T2H/T2V/T2C	T2HR3/T2VR3 (Bend resistance)	T2JH/T2JV (Off-delay type)	T2YH/T2YV (2 color indicator)	T2WH/T2WV (2 color indicator)	T3H/T3V/T3C	T3PH/T3PV (PNP output type)	T3YH/T3YV (2 color indicator)	T3WH/T3WV (2 color indicator)
Applications	Programmable controller, relay, compact solenoid valve		Programmable controller				Programmable controller, relay			
Output method	-						NPN output	PNP output	NPN output	NPN output
Power voltage	-						10 to 28 VDC			
Load voltage	85 to 265 VAC	10 to 30 VDC			24 VDC ±10%		30 VDC or less			
Load current	5 to 100mA	5 to 20mA (Note 1)				100mA or less		50mA or less		
Current consumption	-	-				10mA or less with 24 VDC	12mA or less with 24 VDC	10mA or less with 24 VDC		
Internal voltage drop	7V or less	4V or less				0.5V or less				
Delay hour off	-			200±50ms	-		-			
Light	LED (ON lighting)				Red/green LED (ON lighting)	Red/green LED (ON lighting)	LED (ON lighting)	Green LED (ON lighting)	Red/green LED (ON lighting)	
Leakage current	1mA or less with 100 VAC 2mA or less with 200 VAC	1mA or less				10 μA or less				
Lead wire length	1m (oil resistant vinyl cabtire cable 2 conductor 0.3mm ²)	1m (oil resistant cabtire cable 2 conductor 0.2mm ²)	3m (bend resistance, oil resistant cabtire cord 2 conductor 0.3mm ²)	1m (oil resistant cabtirecord 2 conductor 0.3mm ²)	1m (oil resistant vinyl cabtire cable 2 conductor 0.3mm ²)		1m (oil resistant vinyl cabtire 3 conductor cable 0.2mm ²)			
Maximum shock resistance	980m/s ²									
Insulation resistance	100MΩ and over with 500 VDC megger	20MΩ and over with 500 VDC megger	100MΩ and over with 500 VDC megger		20MΩ and over with 500 VDC megger	20MΩ and over with 500 VDC megger	100MΩ and over with 500 VDC megger	20MΩ and over with 500 VDC megger		
Withstand voltage	No failure impressed at 1500 VAC for one min.		No failure impressed at 1000 VAC for one minute							
Ambient temperature	-10 to + 60°C									
Protective structure	IEC standards IP67, JIS C0920 (water tight type), oil resistant									
Weight	1m: 30g 3m: 90g 5m: 140g	1m: 20g 3m: 50g 5m: 80g	1m: 30g 3m: 90g 5m: 140g		1m: 20g 3m: 50g 5m: 80g	1m: 20g 3m: 50g 5m: 80g		1m: 30g 3m: 90g 5m: 140g	1m: 20g 3m: 50g 5m: 80g	

Descriptions	Reed 2 wire							
	T0H/T0V/T0C		T5H/T5V/T5C				T8H/T8V	
Applications	Programmable controller, relay		Programmable controller, relay, IC circuit (without light), serial connection				Programmable controller, relay	
Power voltage	-							
Load voltage	12/24 VDC	110 VAC	220 VAC	5/12/24 VDC	110 VAC	12/24 VDC	110 VAC	220 VAC
Load current	5 to 50mA	7 to 20mA	7 to 10mA	50mA or less	20mA or less	5 to 50mA	7 to 20mA	7 to 10mA
Current consumption	-							
Internal voltage drop	3V or less		0V				3V or less	
Light	LED (ON lighting)		Without indicator light				LED (ON lighting)	
Leakage current	0mA							
Lead wire length	1m (oil resistant vinyl cabtire cable 2 conductor 0.2mm ²)					1m (oil resistant vinyl cabtire cable 2 conductor 0.3mm ²)		
Maximum shock resistance	294m/s ²							
Insulation resistance	20MΩ and over with 500 VDC megger					100MΩ and over with 500 VDC megger		
Withstand voltage	No failure impressed at 1000 VAC for one minute					No failure impressed at 1500 VAC for one minute		
Ambient temperature	-10 to + 60°C							
Protective structure	IEC standards IP67, JIS C0920 (water tight type), oil resistance							
Weight	1m: 20g 3m: 50g 5m: 80g					1m: 30g 3m: 90g 5m: 140g		

Note 1: Maximum load current above: 20mA applies at 25°C. The current will be lower than 20mA if ambient temperature around switch is higher than 25°C. (5 to 10mA at 60°C.)

Note 2: T2C, T2HR3, T2VR3, T3C, T3PH, T3PV, T0C, T5C switches are available as custom order when installed onto applicable cylinders.

Note 3: T2JH and T2JV switches are available as custom order when installed onto SRL2(φ32 to φ100), MRL2, LCS, UCAC or Hand-chuck.

Note 4: The T0/T5 switches can be used at 220 VAC. Consult with CKD for working conditions.

Note 5: Switch types are limited depending on cylinder. Refer to each cylinder page for the details.

T Series	With preventive maintenance output	Application cylinder	CMK2, SCM, SCG, CKV2, SSD, JSG, ULK, JSK2, STG, STS/STL, SRM, STK, SRL2, SRG, SRT, SRB2, MRL2, HCM
-----------------	---	----------------------	--



T*YMH



T*YMV

Specifications

Descriptions	Proximity 3 wire		Proximity 4 wire	
	T2YF H/V	T3YF H/V	T2YM H/V	T3YM H/V
Applications	Programmable controller		Programmable controller, relay	
Output method	NPN output			
Light	Red/green LED (ON lighting)			
	-		Yellow LED (ON lighting)	
Output section	Power voltage	-	10 to 28 VDC	-
	Load voltage	10 to 30 VDC	30 VDC	10 to 30 VDC
	Load current	5 to 20mA	50mA or less	5 to 20mA
	Internal voltage drop	4V or less	0.5V or less	4V or less
	Current consumption	-	10mA or less	-
	Leakage current	1mA or less	10 μ A or less	1.2mA or less
Preventive maintenance output	Load voltage	30 VDC or less		
	Load current	20mA or less	50mA or less	5 to 20mA
	Internal voltage drop	0.5V or less		4V or less
	Leakage current	10 μ A or less		
	Signal holding (Ton)	-	-	After 0.4 \pm 0.2sec from installation position adjustment section red LED lighting
Signal release (Toff)	-	-	After 0.7 \pm 0.2sec from installation position adjustment section green LED lighting	
Lead wire length	1m (oil resistant vinyl cabtire cable 3 conductor 0.2mm ²)	1m (oil resistant vinyl cabtire cable 4 conductor 0.2mm ²)	1m (oil resistant vinyl cabtire cable 3 conductor 0.2mm ²)	1m (oil resistant vinyl cabtire cable 4 conductor 0.2mm ²)
Maximum shock resistance	100M Ω and over with 500 VDC megger			
Insulation resistance	No failure impressed at 1000 VAC for one minute			
Withstand voltage	980m/s ²			
Ambient temperature	-10 to + 60°C			
Protective structure	IEC standards IP67, JIS C0920 (water tight type), oil resistant			
Weight	1m: 30g 3m: 90g 5m: 140g			

T Series	Strong magnetic field proof	Application cylinder	SCG, SCA2, JSG, JSC3, SCS, STG, STS/STL, SRM, CAC3, SRL2, SRG, SRT, SRB2, SSD, SCM, STK, UCAC
-----------------	------------------------------------	----------------------	---



Refer to Intro 21 for details.



T2YD

Specifications

Descriptions	Proximity 2 wire	
	T2YD	T2YDT
Applications	Programmable controller	
Light	Red/green LED (ON lighting)	
Load voltage	24 VDC \pm 10%	
Load current	5 to 20mA	
Internal voltage drop	6V or less	
Leakage current	1.0mA or less	
Output delay time (Note 1) (ON/OFF delay)	30 to 60mS	
Lead wire	1m (oil resistant vinyl cabtire cable 2 conductor 0.5mm ²) (standard)	1m (flame resistance vinyl/cabtire cord 2 conductor 0.5mm ²) (option)
Insulation resistance	100M Ω and over with 500 VDC megger	
Withstand voltage	No failure impressed at 1000 VAC for one minute	
Max. shock resistance	980m/s ²	
Ambient temperature	-10 to + 60°C	
Protective structure	IEC standards IP67, JIS C0920 (water tight type), oil resistant	
Weight	1m: 60g 3m: 170g 5m: 270g	

Note 1: This shows the time from magnetic sensor detects piston magnet until outputs a signal.
 Note 2: This switch is not available in direct-current magnetic field.
 Note 3: When installed on SCS or JSC3, model no. is T2YDP.

T Series	Coolant proof	Application cylinder	SRL2-J, CMK2-G2/3, SCG-G2/3, SCA2-G2/3, SSD-G2/3, STG-G2/3, STS/L-G2/3, HRL-G2/3
-----------------	----------------------	----------------------	--



Refer to Intro 21 for details.



T*YLH

Specifications

Descriptions	Proximity 2 wire		Proximity 3 wire	
	T2YLH, T2YLV	T3YLH, T3YLV		
Applications	Programmable controller		Programmable controller, relay	
Output method	-		NPN output	
Power voltage	-		10 to 28 VDC	
Load voltage/current	10 to 30 VDC	5 to 20mA	30 VDC or less 50mA or less	
Current consumption	-		10mA or less with 24 VDC (ON lighting)	
Internal voltage drop	4V or less		0.5V or less	
Leakage current	1mA or less		10 μ A or less	
Light	Red/green LED (ON lighting)			
Lead wire	Oil resistant vinyl cabtire cable 0.3mm ² , 2 conductor 1m		Oil resistant vinyl cabtire cable 0.2mm ² , 3 conductor 1m	
Insulation resistance	100M Ω and over with 500 VDC megger			
Withstand voltage	No failure impressed at 1000 VAC for one minute.			
Max. shock resistance	980m/s ²			
Hysteresis	1.5mm or less			
Ambient temperature	-10 to + 60°C			
Protective structure	IEC standards IP67, JIS C0920 (water tight type), oil resistant			
Weight	1m: 30g 3m: 90g 5m: 140g			

Ending

Cylinder switch

V Series	Small strong magnetic field proof	Application cylinder	SSD-L4, USSD-L4
----------	-----------------------------------	----------------------	-----------------

CE Refer to Intro 21 for details.



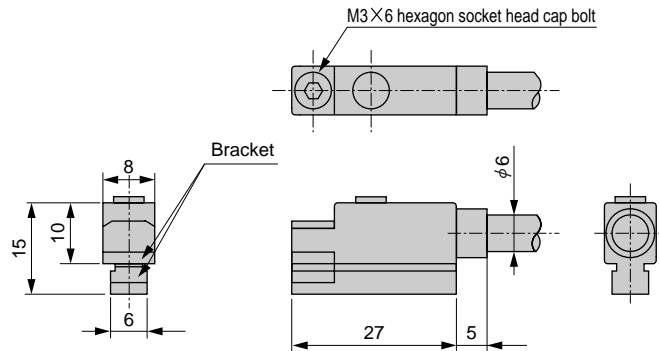
V0

Specifications

Descriptions	Reed 2 wire		
	V0		V7
Applications	Relay, programmable controller		
Load voltage	12/24 VAC	110 VAC	24 VDC
Load current	5 to 50mA	7 to 20mA	50mA or less
Internal voltage drop	2.4V or less (load current 40mA)		0V
Light	LED (ON lighting)		LED (OFF lighting)
Leakage current	0mA		1mA or less
Lead wire	1m (flame resistance cable 2 conductor 0.5mm ²)		
Insulation resistance	100MΩ and over with 500 VDC megger		
Withstand voltage	No failure impressed at 1000 VAC for one minute		
Maximum shock resistance	294m/s ²		
Ambient temperature	-10 to + 60°C		
Protective structure	IEC standards IP67, JIS C0920 (water tight type), oil resistance		
Weight	1m: 60g 3m: 160g 5m: 260g		

Dimensions

- V Series (strong magnetic field proof)



Ending

Switch internal circuit diagram

