

OGD*0V MGD10V Safety specification options Custom order

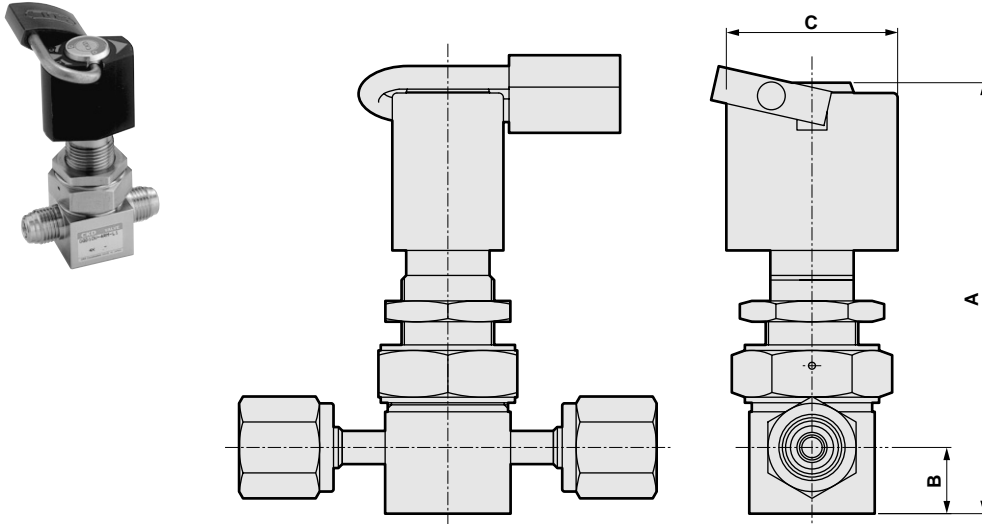
Dimensions

OGD*0V-□ With locking mechanism

Handle can be padlocked not to move.

- (1) Locked when valve open
- (2) Locked when valve closed
- (3) Locked when valve open/closed

The following three are available:



Model No.	A	B	C
OGD10V-□	94	14.3	37
OGD20V-□	118	16	47

* Contact your CKD representative for details on the model No., etc.

Outline drawing

MGD10V With double action mechanism

MGD10V With locking mechanism



Malfunctions are eliminated by pushing and turning the handle (double action).



Contact your CKD representative for details on the model No., etc.

* Contact your CKD representative for details on the model No., etc.