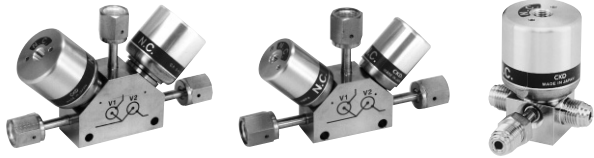



Parts compatible with other variations

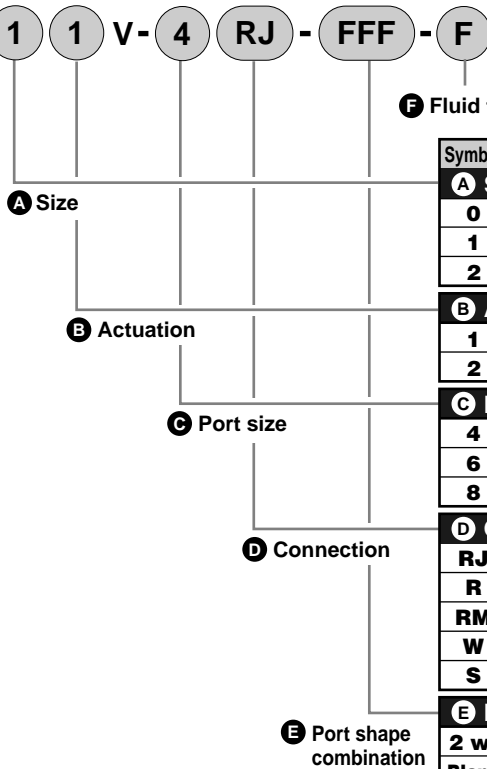
AGD**V Series

Custom order

Model	Variations
AGD0*V AGD1*V AGD2*V	<p>Body options (pages 10 to 21)</p> <ul style="list-style-type: none"> ● Flow path direction ● NC/NO combination ● Connection ● Port shape combination ● Fluid temperature 
	<p>Actuator options (pages 22 to 23)</p> <ul style="list-style-type: none"> ● Valve opening adjustment function ● Air indicator ● Microswitch ● Proximity switch ● Cylinder switch 

How to order 2-way valve, 3-way separate flow valve

AGD 1 1 V- 4 RJ - FFF - F



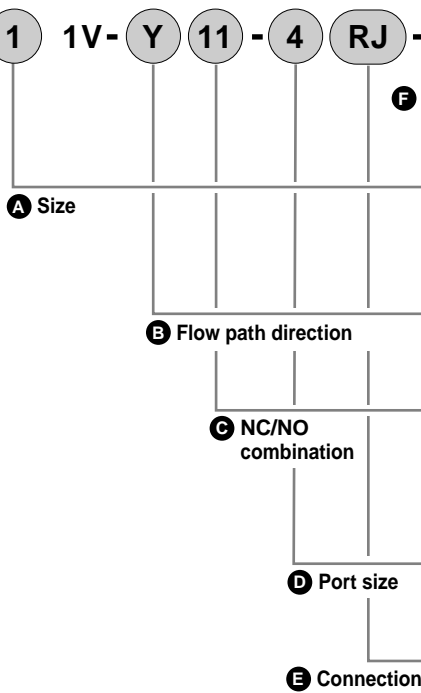
		Model No.		
		AGD 0	AGD 1	AGD 2
Symbol	Descriptions			
A Size				
0	1/8"	●		
1	1/4"		●	
2	3/8"			●
B Actuation				
1	NC	●	●	●
2	NO	●	●	●
C Port size				
4	1/4"	●	●	
6	3/8"			●
8	1/2"			●
D Connection				
RJ	JXR female joint (with bearing)	●	●	●
R	JXR female joint	●	●	●
RM	JXR male joint	●	●	●
W	Automatic welded joint	●	●	●
S	Double barbed joint	●	●	●
E Port shape combination				
2 way valve				
Blank	IN, OUT Same joint type	●	●	●
MF	IN: Male OUT: Female	●	●	●
FM	IN: Female OUT: Male	●	●	●
3-way separate flow valve				
FFF	abc female/female/female	●	●	●
FFM	abc female/female/male	●	●	●
FMM	abc female/male/male	●	●	●
MMM	abc male/male/male	●	●	●
WWW	abc automatic welded joint	●	●	●
□□□	abc □ • □ • □ *1	●	●	●
F Fluid temperature				
Blank	80°C standard	●	●	●
F	180°C valve seat PFA	●	●	●

D Connection					
Symbol	RJ	R	RM	W	S
2 way valve					
Blank	●	●	●	●	●
MF	●	●			
FM	●	●			
3-way separate flow valve					
FFF	●	●			
FFM	●	●			
FMM	●	●			
MMM			●		
WWW				●	
□□□	●	●		●	

*1 F: Female, M: Male, W: Automatic welded joint, all joints can be combined.

How to order 2-station 3-way valve

AGD 1 1V- Y 11 - 4 RJ - FFF - F



F Port shape combination **G** Fluid temperature

Model No.

AGD 0	AGD 1	AGD 2
-------	-------	-------

Symbol	Descriptions	AGD 0	AGD 1	AGD 2
A Size				
0	1/8"	●		
1	1/4"		●	
2	3/8"			●
B Flow path direction				
Y	Selector type	●	●	●
T	Divider type	●	●	●
C NC/NO combination				
11	V1 : NC V2 : NC	●	●	●
12	V1 : NC V2 : NO	●	●	●
21	V1 : NO V2 : NC	●	●	●
22	V1 : NO V2 : NO	●	●	●
D Port size				
4	1/4"	●	●	
6	3/8"			●
E Connection				
RJ	JXR female joint (with bearing)	●	●	●
R	JXR female joint	●	●	●
RM	JXR male joint	●	●	●
F Port shape combination				
FFF	abc female/female/female	●	●	●
MMM	abc male/male/male	●	●	●
□□□	abc □ · □ · □ *2	●	●	●
G Fluid temperature				
Blank	80°C standard	●	●	●
F	180°C valve seat PFA	●	●	●

E Connection			
Symbol	RJ	R	RM
FFF	●	●	
MMM			●
□□□	●	●	

*2: F: Female, M: Male, all joints can be combined.

AGD0*V 2 way valve

Custom order

Dimensions

AGD0*V-4RJ (1/4" JXR female joint (with bearing) type)

AGD0*V-4S (1/4" double barbed joint type)

AGD0*V-4W (1/4" automatic welded joint type)

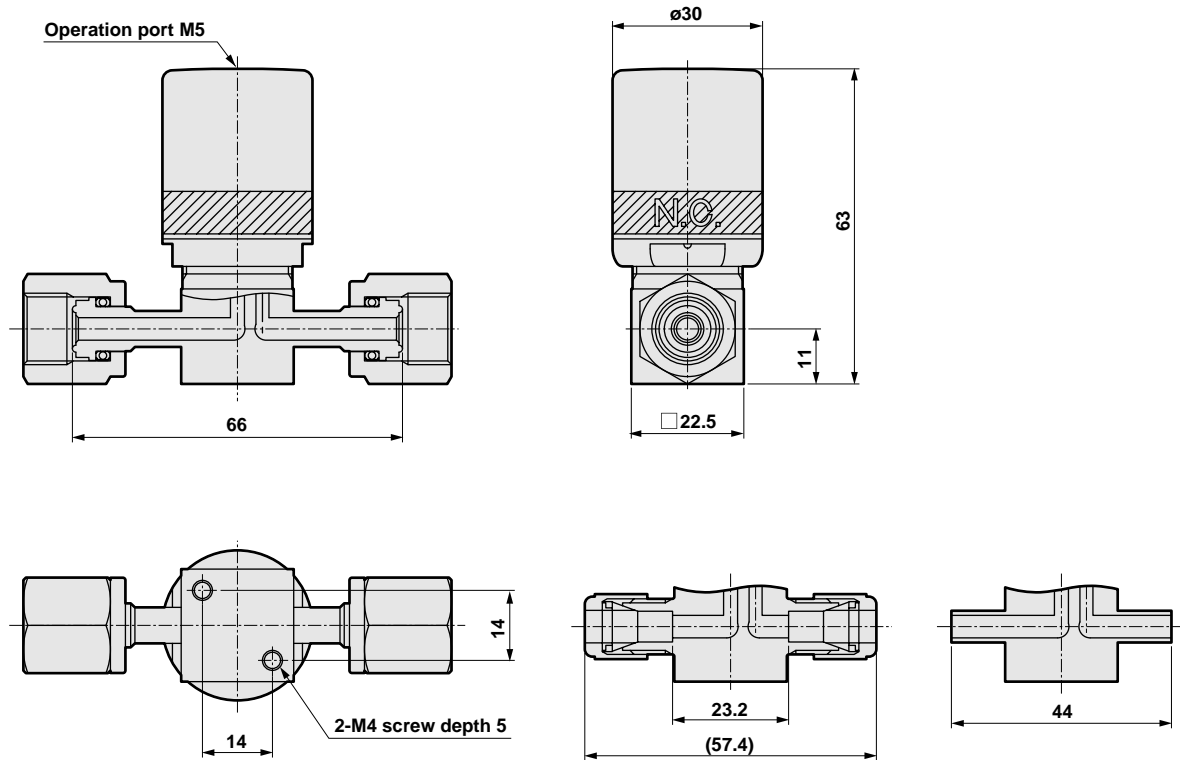


Figure shows AGD01V-4RJ female joint (with bearing)

Double barbed joint: 4S

Welded joint: 4W

AGD0*V-4RJ-FM_{MF} (1/4" JXR female (with bearing) - male combination type)

AGD0*V-4R-FM_{MF} (1/4" JXR female - male combination type)

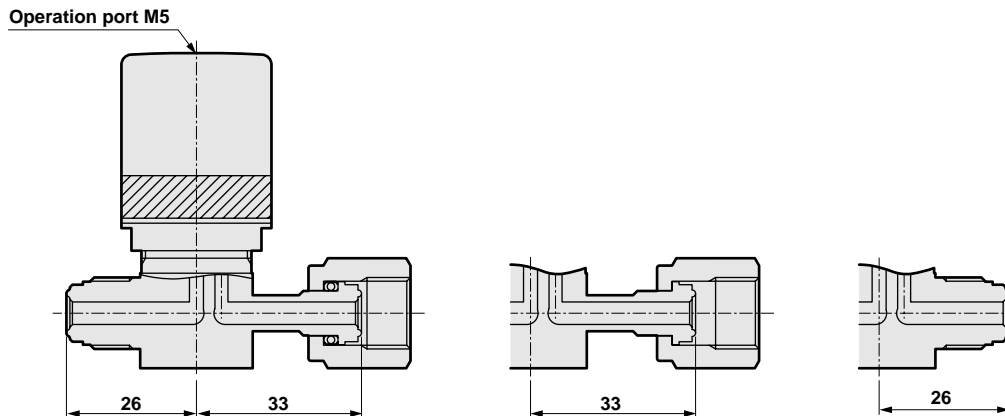


Figure shows AGD01V-4RJ-FM female joint (with bearing)

Female joint: 4R

Male joint: 4RM

AGD0*V 3-way separate flow valve **Custom order**

Dimensions

- AGD0*V-4RJ-□□□ (1/4" JXR female joint (with bearing) combination type)
- AGD0*V-4R-□□□ (1/4" JXR female joint combination type)
- AGD0*V-4RM-MMM (1/4" JXR male joint type)
- AGD0*V-4W-□□□ (1/4" automatic welding joint combination type)

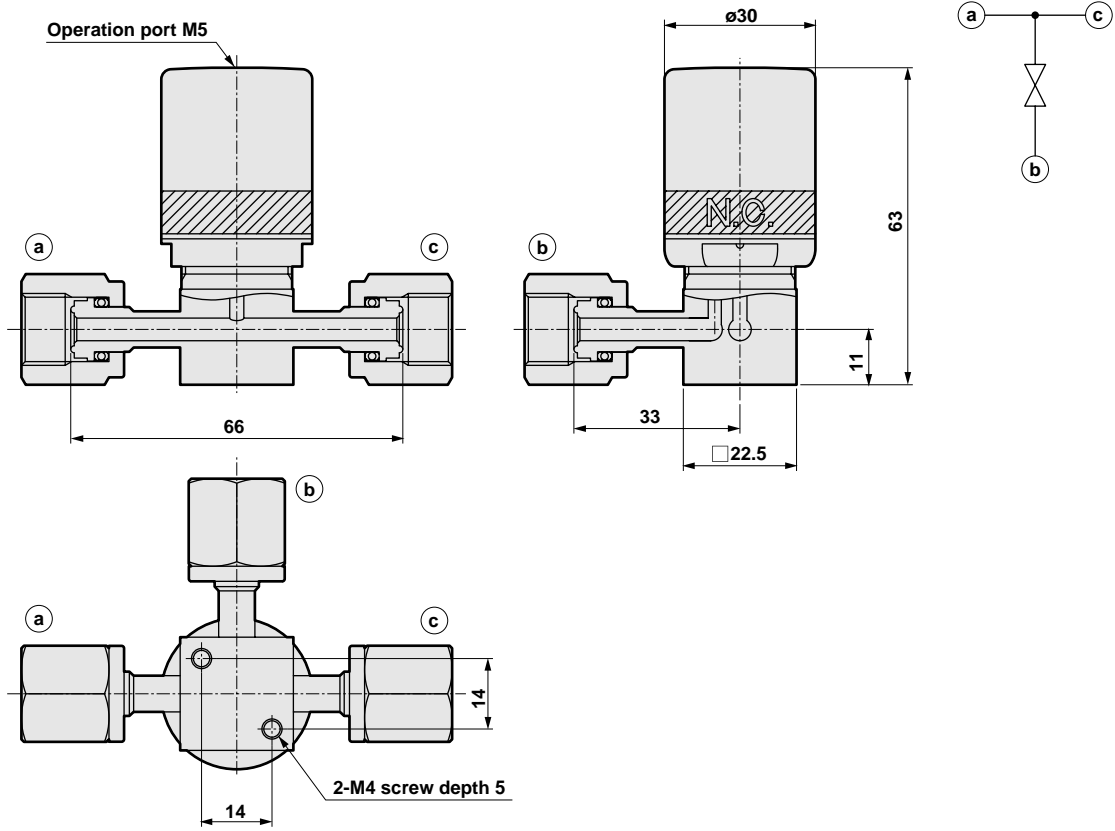
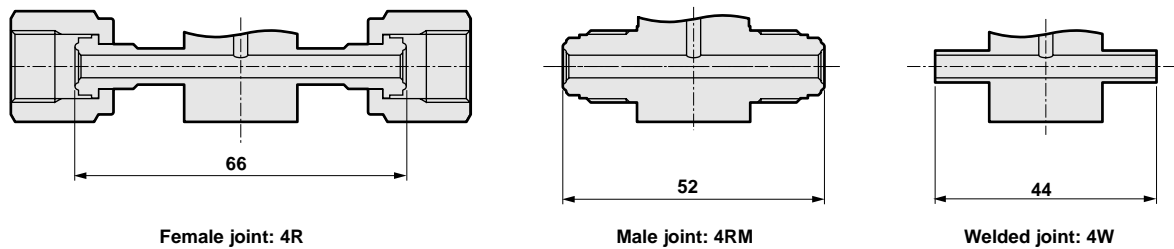
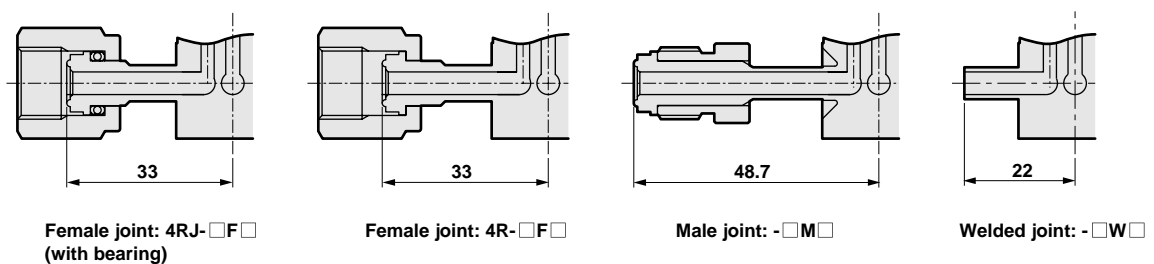


Figure shows AGD01V-4RJ-FFF female joint (with bearing)

<Main port>



<Branch port>



AGD0*V 2-station 3-way valve

Custom order

Dimensions

- AGD01V-□****-4RJ**-□□□ (1/4" JXR female joint (with bearing) combination type)
- AGD01V-□****-4R**-□□□ (1/4" JXR female joint combination type)
- AGD01V-□****-4RM**-MMM (1/4" JXR male joint type)

<Y: Selector type>

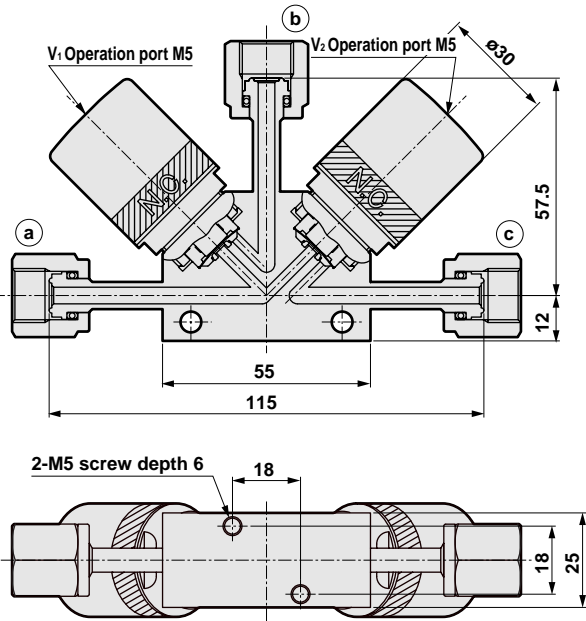
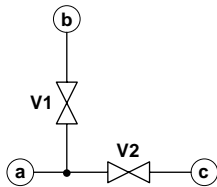


Figure shows AGD01V-Y11-4RJ-FFF female joint (with bearing)



<T: Divider type>

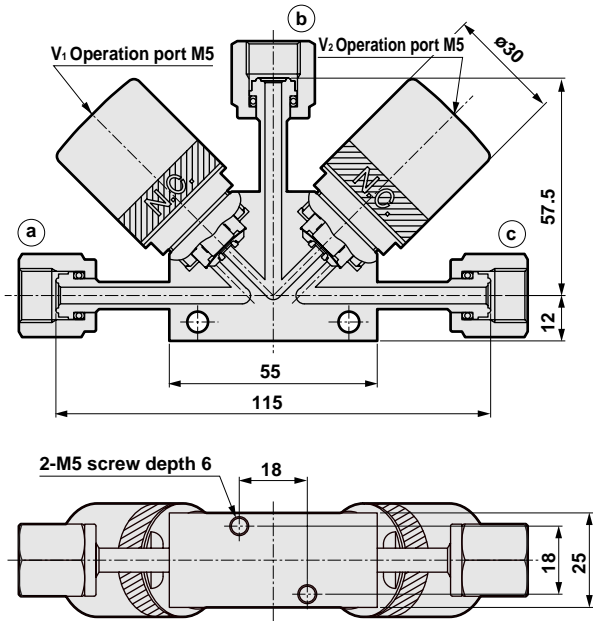
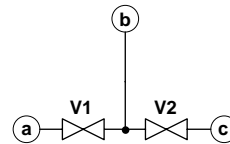
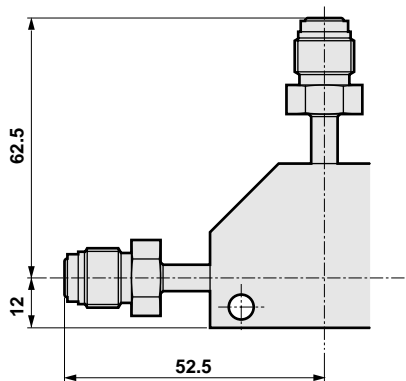


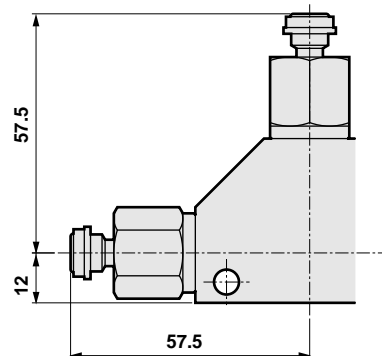
Figure shows AGD01V-T11-4RJ-FFF female joint (with bearing)



<Other joint dimension>



Male joint: 4RM



Female joint: 4R

AGD1*V 2 way valve

Custom order

Dimensions

AGD1*V-4RJ (1/4" JXR female joint (with bearing) type)

AGD1*V-4W (1/4" automatic welded joint type)

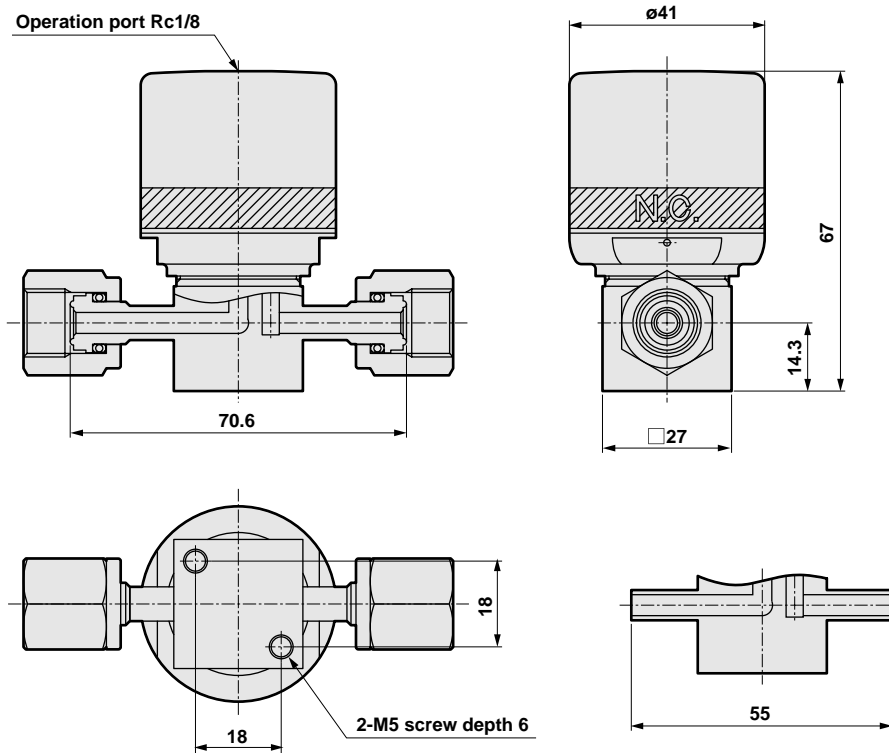


Figure shows AGD11V-4RJ female joint (with bearing)

Welded joint: 4W

AGD1*V-4RJ-FM (1/4" JXR female (with bearing) male combination type)

AGD1*V-4R-MF (1/4" JXR female - male combination type)

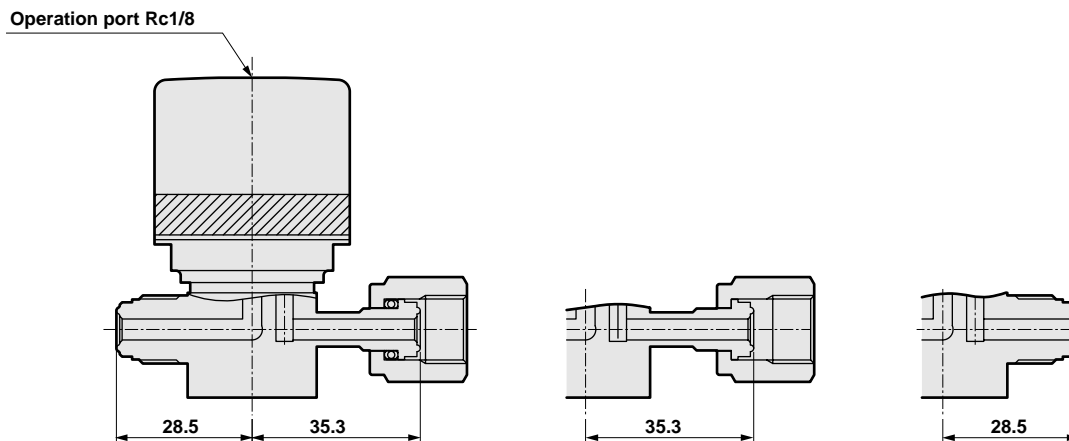


Figure shows AGD11V-4RJ-MF female joint (with bearing)

Female joint: 4R

Male joint: 4RM

AGD1*V 3-way separate flow valve

Custom order

Dimensions

AGD1*V-4RJ-□□□ (1/4" JXR female joint (with bearing) combination type)

AGD1*V-4R-□□□ (1/4" JXR female joint combination type)

AGD1*V-4RM-MMM (1/4" JXR male joint type)

AGD1*V-4W-□□□ (1/4" automatic welding joint combination type)

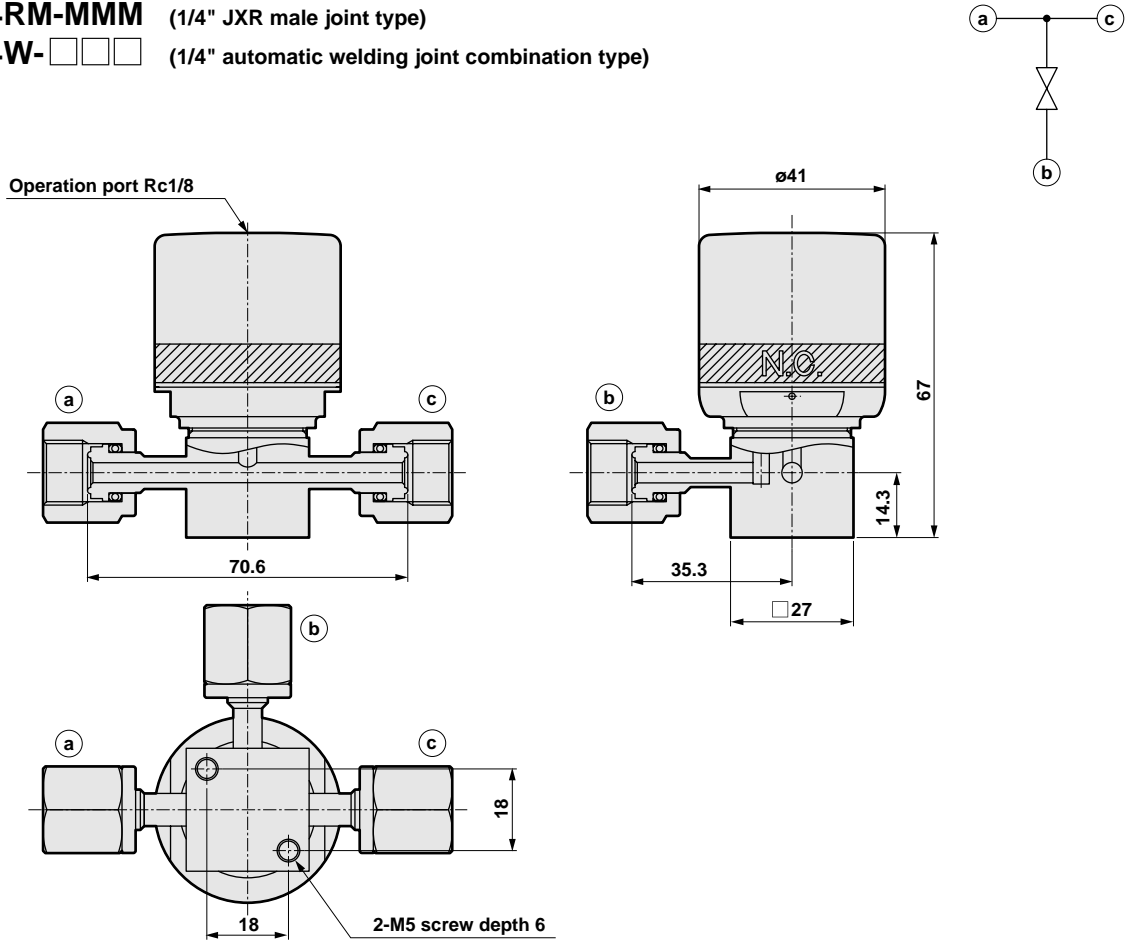
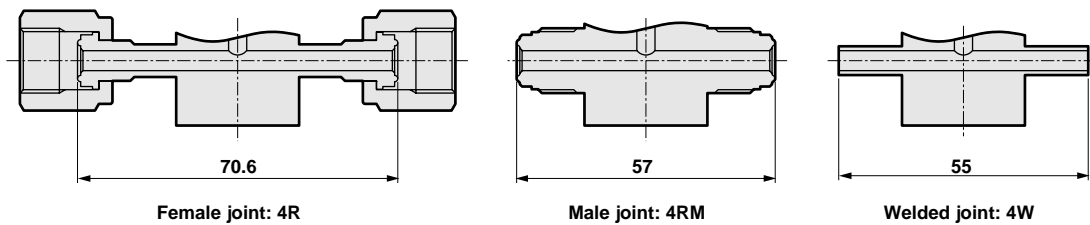
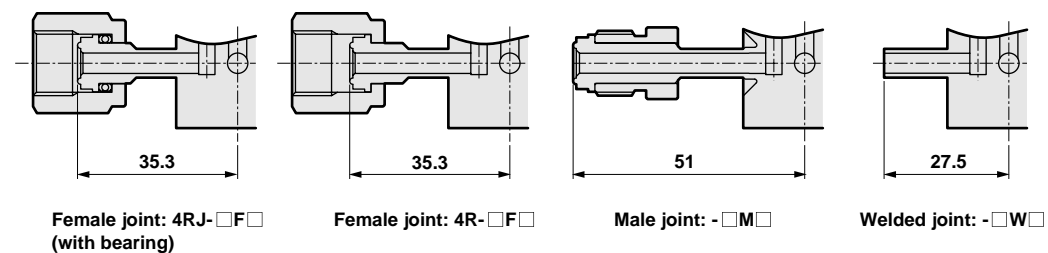


Figure shows AGD11V-4RJ-FFF female joint (with bearing)

<Main port>



<Branch port>



AGD11V 2-station 3-way valve

Custom order

Dimensions

AGD11V-□****-4RJ**-□□□ (1/4" JXR female joint (with bearing) combination type)

AGD11V-□****-4R**-□□□ (1/4" JXR female joint combination type)

AGD11V-□****-4RM**-MMM (1/4" JXR male joint type)

<Y: Selector type>

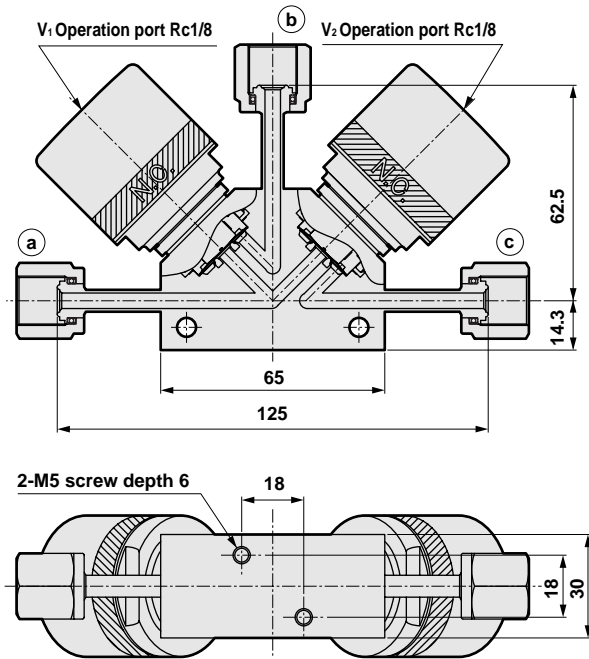


Figure shows AGD11V-Y11-4RJ-FFF female joint (with bearing)

<T: Divider type>

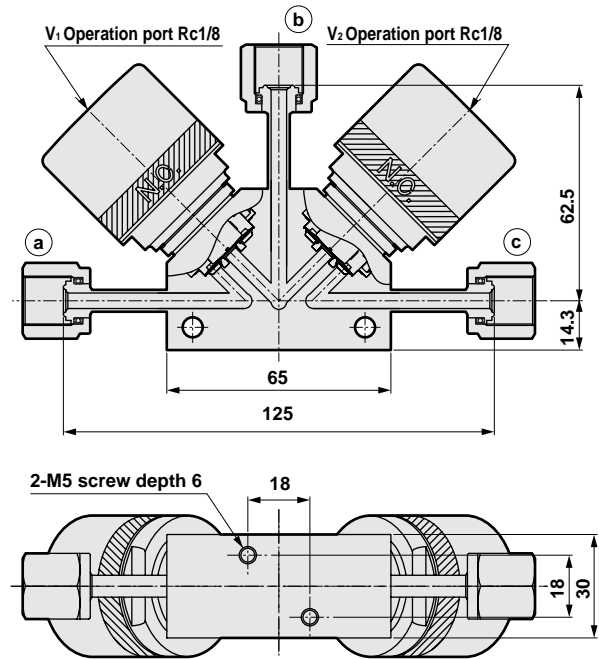
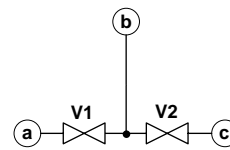
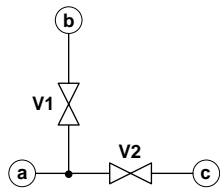
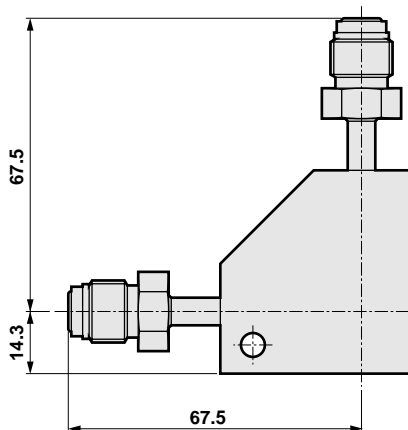


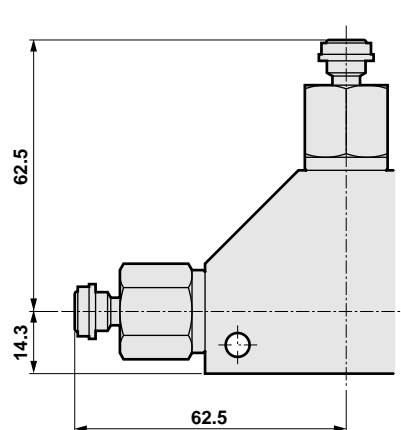
Figure shows AGD11V-T11-4RJ-FFF female joint (with bearing)



<Other joint dimension>



Male joint: 4RM



Female joint: 4R

AGD2*V 2 way valve

Custom order

Dimensions

- AGD2*V-6RJ** (3/8" JXR female joint (with bearing) type)
- AGD2*V-6W** (3/8" automatic welded joint type)
- AGD2*V-8S** (1/2" double barbed joint type)
- AGD2*V-8RM** (1/2" JXR male joint type)
- AGD2*V-8R** (1/2" JXR female joint type)
- AGD2*V-8RJ** (1/2" JXR female joint (with bearing) type)
- AGD2*V-8W** (1/2" automatic welded joint type)

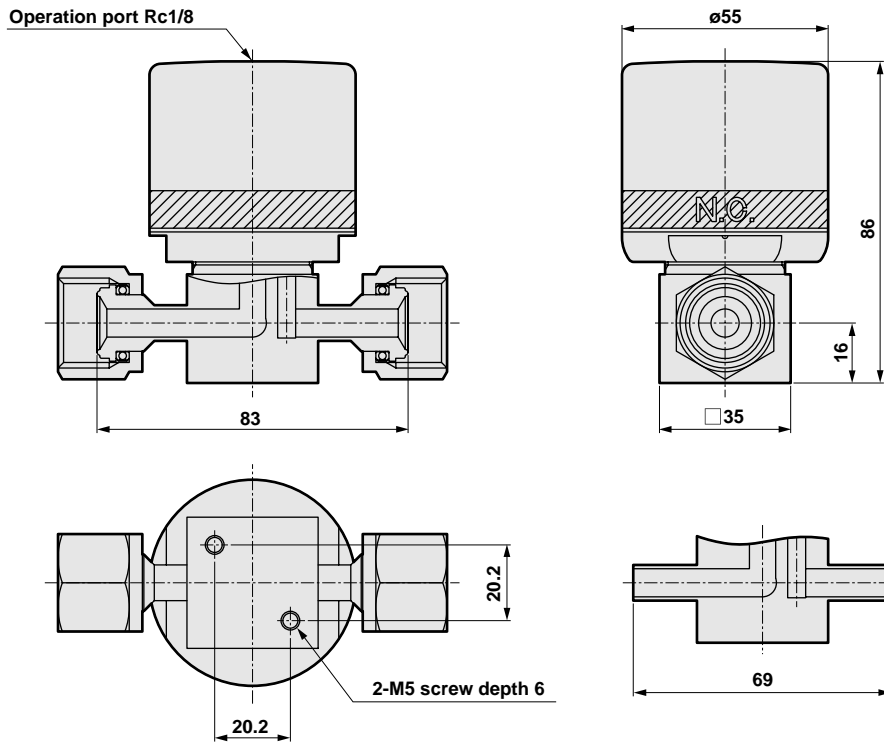
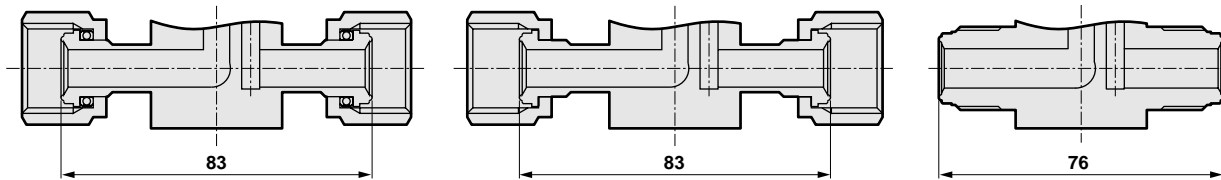


Figure shows AGD21V-6RJ female joint (with bearing)

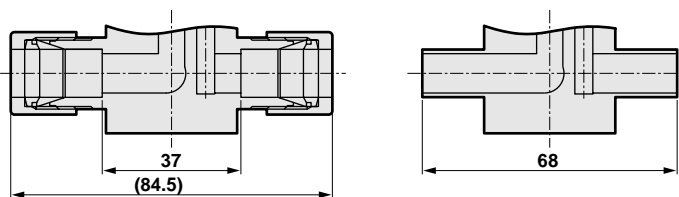
Welded joint: 6W



Female joint: 8RJ (with bearing)

Female joint: 8R

Male joint: 8RM



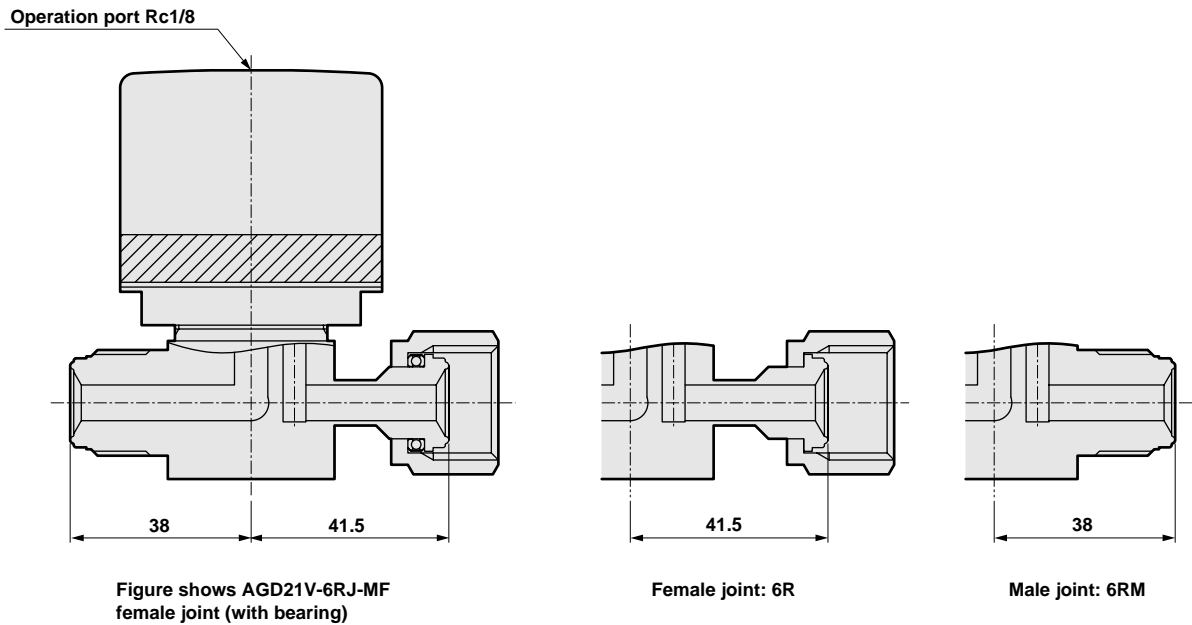
Double barbed joint: 8S

Welded joint: 8W

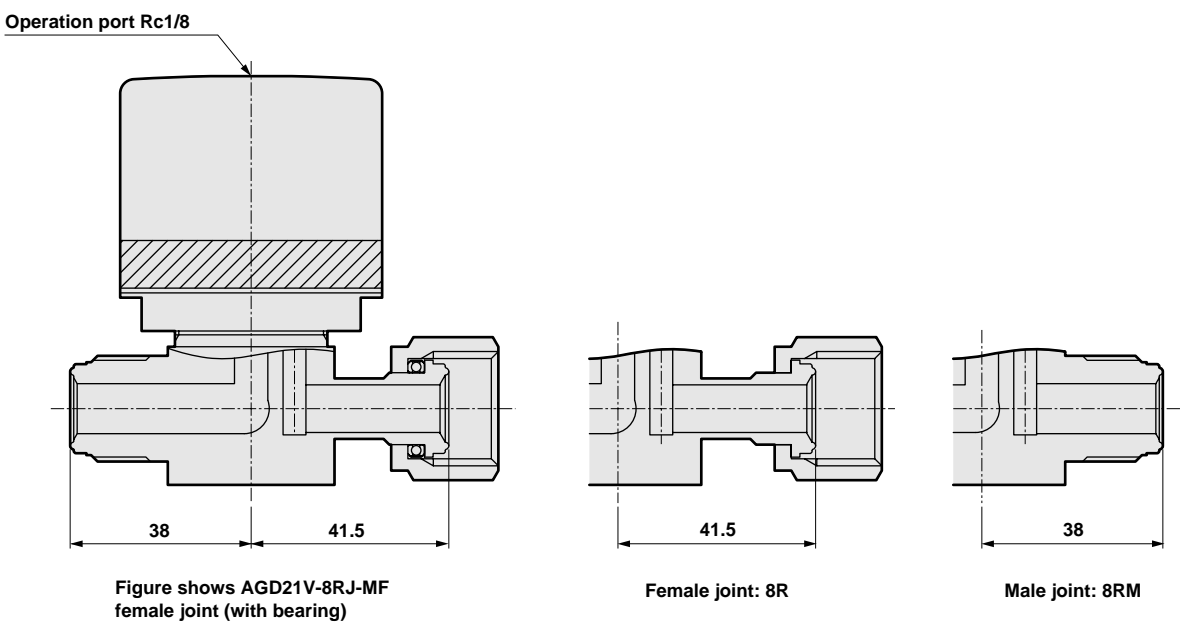
AGD2*V 2 way valve **Custom order**

Dimensions

- AGD2*V-6RJ-^{FM}/_{MF}** (3/8" JXR female joint (with bearing) male combination type)
- AGD2*V-6R-^{FM}/_{MF}** (3/8" JXR female - male combination type)



- AGD2*V-8RJ-^{FM}/_{MF}** (1/2" JXR female joint (with bearing) male combination type)
- AGD2*V-8R-^{FM}/_{MF}** (1/2" JXR female - male combination type)



AGD2*V 3-way separate flow valve

Custom order

Dimensions

AGD2*V-6RJ-□□□ (3/8" JXR female joint (with bearing) combination type)

AGD2*V-6R-□□□ (3/8" JXR female joint combination type)

AGD2*V-6RM-MMM (3/8" JXR male joint type)

AGD2*V-6W-□□□ (3/8" automatic welded joint combination type)

· The 1/2-inch size is also available. The face-to-face distance is the same as the 3/8-inch size.

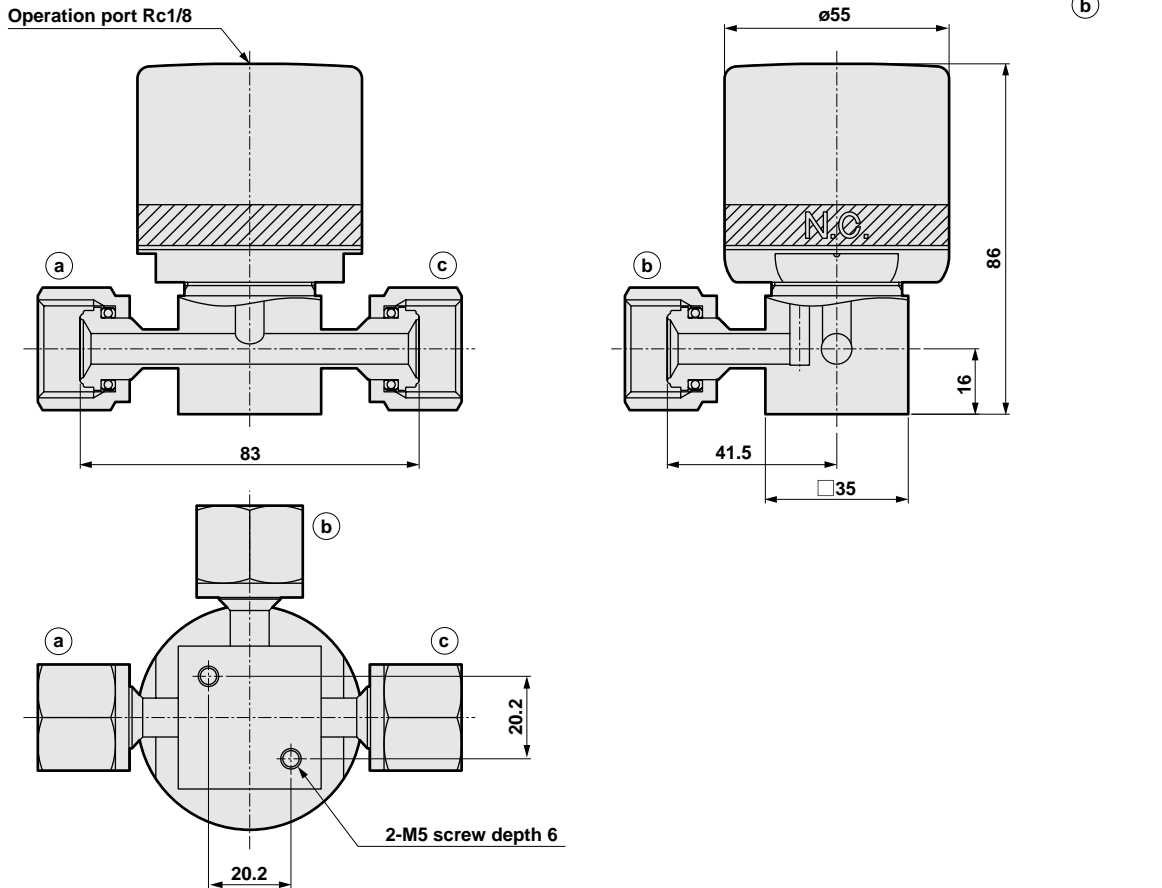
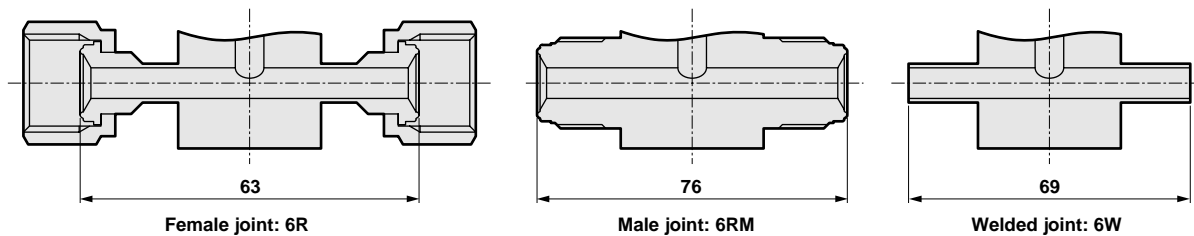
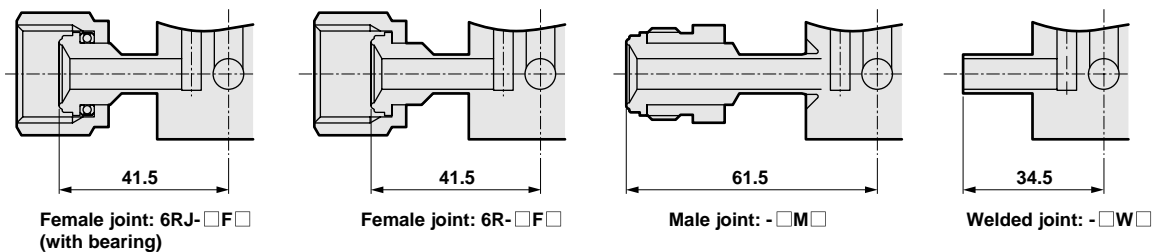


Figure shows AGD21V-6RJ-FFF female joint (with bearing.)

<Main port>



<Branch port>



AGD21V 2-station 3-way valve

Custom order

Dimensions

AGD21V-□****-6RJ**-□□□ (3/8" JXR female joint (with bearing) combination type)

AGD21V-□****-6R**-□□□ (3/8" JXR female joint combination type)

AGD21V-□****-6RM**-MMM (3/8" JXR male joint type)

<Y: Selector type>

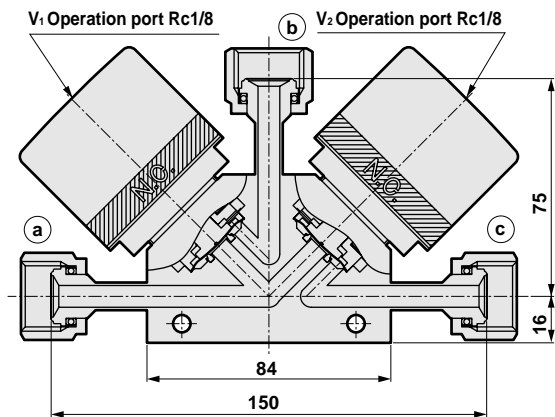


Figure shows AGD21V-Y11-6RJ-FFF female joint (with bearing)

<T: Divider type>

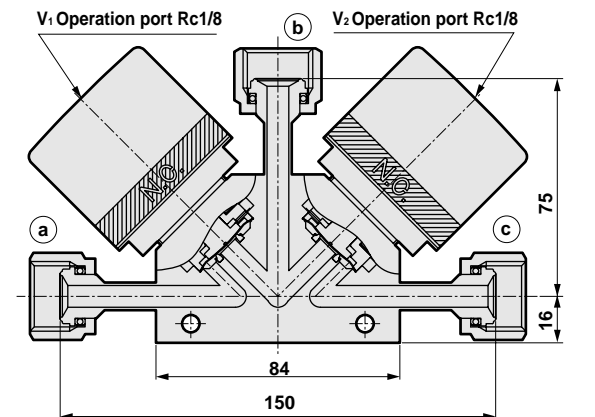
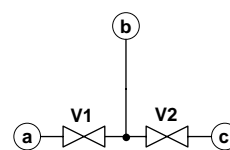
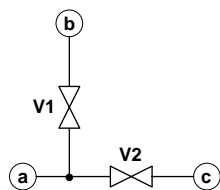
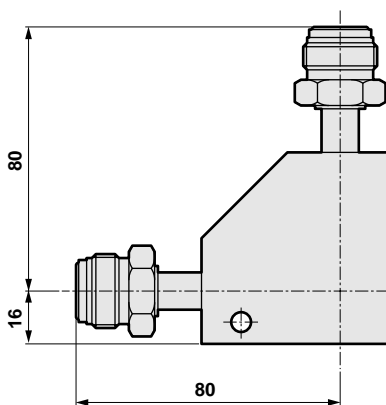


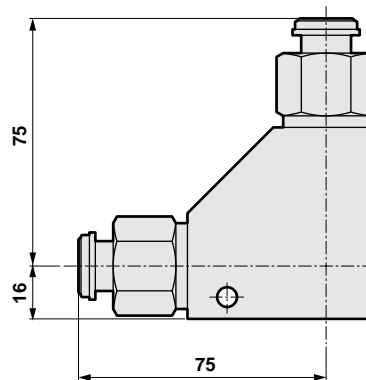
Figure shows AGD21V-T11-6RJ-FFF female joint (with bearing)



<Other joint dimension>



Male joint: 6RM



Female joint: 6R