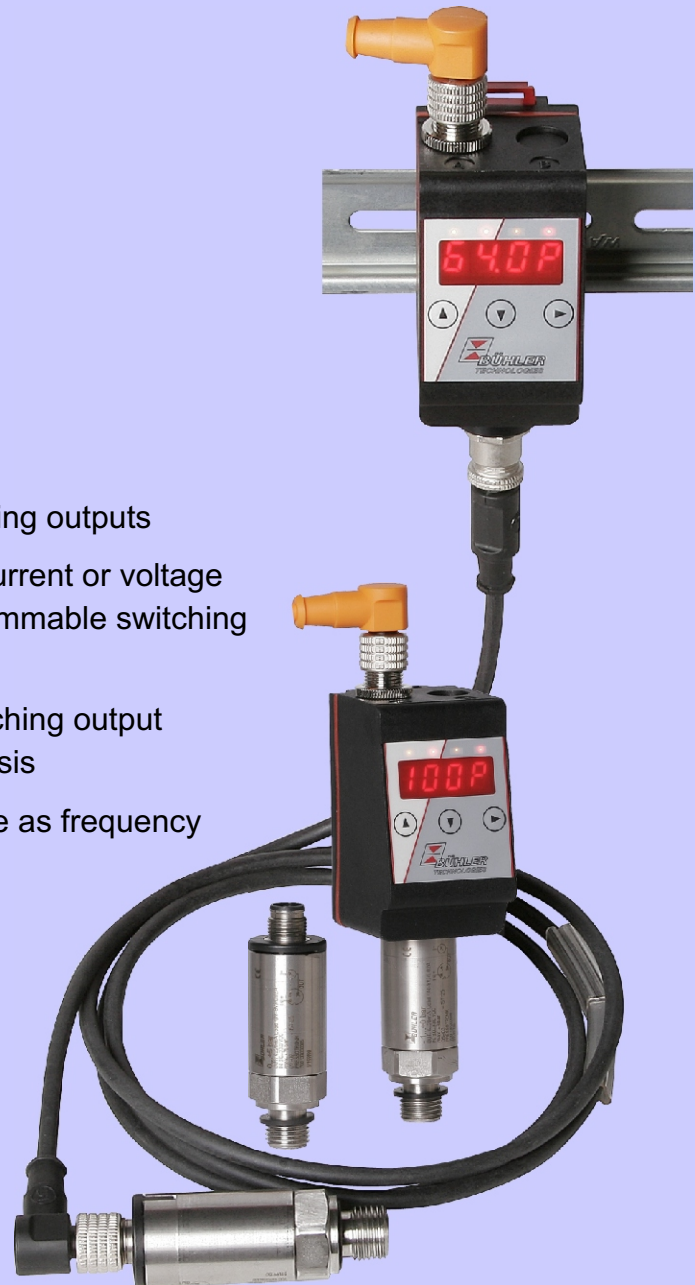


Pressotronic

- Pressure range up to 600 bar
- Compact design
- Up to four programmable switching outputs
- Alternatively analogue output (current or voltage adjustable) plus one free programmable switching output
- Output characteristic of the switching output adjustable as window or hysteresis
- Two switching outputs adjustable as frequency output (1 to 100 Hz)
- Direct or external mounting of the display and control unit
- Almost any length of cable connection between measuring point and display
- Highly visible LED display with status indication of the switching outputs, turnable 270° when directly mounted
- Menu structure based on VDMA guideline 24574 ff.
- Min/Max memory, logbook



Technical data

Pressure transmitter

pressure ranges

Pressotronik 700

0 - 10 bar
0 - 25 bar
0 - 100 bar
0 - 250 bar
0 - 400 bar
0 - 600 bar

other pressure ranges on request

pressure terminal

G ¼ male thread, DIN 3852 form E;
pressure tip orifice for standard ≥ 40 bar

overload

higher values on request

2,5 x final value at 10 to 600 bar (max. 900 bar)

burst pressure

2.5 x final value at 6 to 600 bar (max. 900 bar)
patented leakage stop system as prevention of liquid leakage
if the burst pressure range is passed
(>40 bar nominal pressure)

higher burst pressure on request

Material

housing material

1.4305

material with medium contact

ceramics, 1.4305, PPS, FPM

Temperature

medium

-15...+ 125°C

ambient temperature

max. 85°C

temperature influences

in the temperature range of - 40 to +125 °C

TK0 - Temperature zero point error

adjustment in bar adjustment in psi
< $\pm 0.015\%$ FS/K < $\pm 0.025\%$ FS/K

TKE - Temperature max. value error

< $\pm 0.015\%$ FS/K < $\pm 0.015\%$ FS/K

response time

< 2 ms / typic 1 ms

supply voltage (U_b)

8 - 33 V DC
(nominal voltage 24 V DC)

output signal

4 - 20 mA

load Ω

= $(U_b - 8 \text{ V}) / 0,02 \text{ A}$

Connector

connector base M12x1

accuracy

max. $\pm 0,3 \%$ FS

protection class

IP67

electrical strenght

500 V DC

weight

approx. 95 g

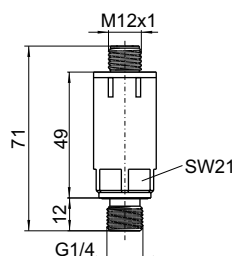
Pressotronik 700

Pressure transmitter with M12 connector

Signal output 4-20 mA

transmitter only

Part No.	Description	Pressure range
137000100	PT 700-010	0 - 10 bar
137000250	PT 700-025	0 - 25 bar
137001000	PT 700-100	0 - 100 bar
137002500	PT 700-250	0 - 250 bar
137004000	PT 700-400	0 - 400 bar
137006000	PT 700-600	0 - 600 bar



Pin assignment M12x1 Connection

- 1 +24V DC
- 3 4-20mA out

Accessories

Part-No.	Description
9144 05 0010	Connecting cable M12x1, 1,5 m, elbow connector (female) and straight connector (male)
9144 05 0046	Connecting cable M12x1, 3,0 m, elbow connector (female) and straight connector (male)
9144 05 0047	Connecting cable M12x1, 5,0 m, elbow connector (female) and wire

Technical data

Display

display
display range
accuracy
resolution
protection class
operation
current consumption at power up
operating current consumption
supply voltage (U_B)

ambient temperature

:mounting: remote display: 35 mm rail mounting
with transmitter: G1/4 / mounted display 270° turnable

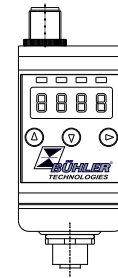
Display and control unit

Pressotronic 77

4 digit 7 segment LED display
bar or PSI
1%
0,5 °C (1 °F)
IP65
by 3 buttons
approx. 100 mA for 100 ms
approx. 50 mA
10 V to 30 V DC
(nominal voltage 24 V DC)
-20 °C to +70 °C

remote indication

with mounted transmitter



Measurement see on page 4

Following output configurations are available:

Type

Connector (base)
PNP transistor output,
current PNP output
contact load overall
Analogue output

load analogue output

-2S

M12 - 4 pol
2 x free programmable
max. 0.5 A per output
max. 1A

-1S-K

M12 - 4 pol
1 x free programmable
max. 0.5 A per output
max. 1A
1 x 4 - 20 mA, 2-10V,
0-10V or 0-5V
max. 500 Ω

-4S

M12 - 8 pol.
4 x free programmable
max. 0.5 A per output
max. 1A

Remote display

female (sensor supply)
weight

Type

Part No.

M12 - 4 pol
approx. 400 g
PT770-2S
13 77 000 199

M12 - 4 pol
approx. 400 g
PT770-1S-K
13 77 000 399

M12 - 4 pol
approx. 400 g
PT770-4S
13 77 000 299

With mounted transmitter

weight

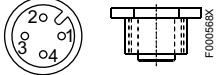
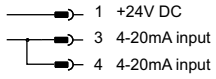
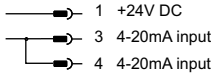
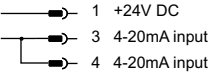

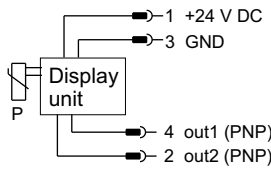
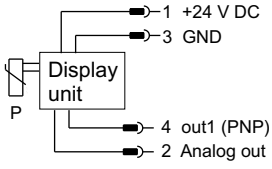
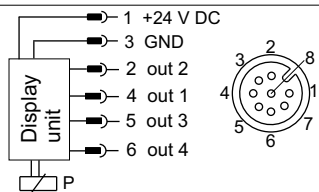
Type

PT771-010- (0- 10 bar)
PT771-025- (0- 25 bar)
PT771-100- (0-100 bar)
PT771-250- (0-250 bar)
PT771-400- (0-400 bar)
PT771-600- (0-600 bar)

approx. 500 g
PT771-...-2S
13 77 101 010
13 77 101 025
13 77 101 100
13 77 101 250
13 77 101 400
13 77 101 600

approx. 500 g
PT771-...-1S-K
13 77 103 010
13 77 103 025
13 77 103 100
13 77 103 250
13 77 103 400
13 77 103 600

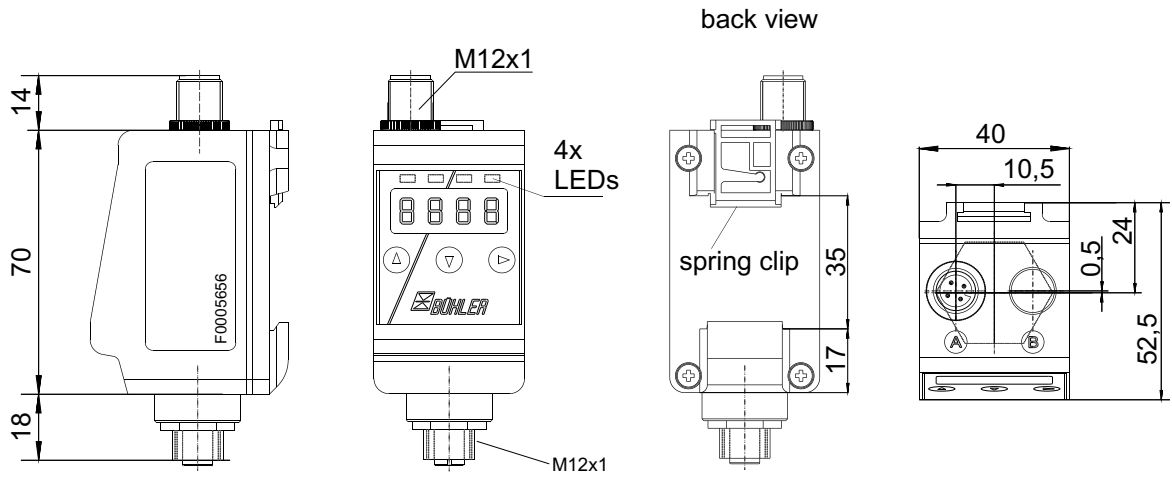
approx. 500 g
PT771-...-4S
13 77 102 010
13 77 102 025
13 77 102 100
13 77 102 250
13 77 102 400
13 77 102 600

Pin assignment	PT77...-2S	PT77...-1S-K	PT77...-4S
female - remote display (Sensor supply) 			
Connector (base) 			

Accessories

Part-No. 4-pole	Part-No. 8-pole	Description
9144 05 0010	9144 05 0048	Connecting cable M12x1, 1,5 m, elbow connector (female) and straight connector (male)
9144 05 0046	9144 05 0049	Connecting cable M12x1, 3,0 m, elbow connector (female) and straight connector (male)
9144 05 0047	9144 05 0033	Connecting cable M12x1, 5,0 m, elbow connector (female) and wire

Remote display



with transmitter mounted

