

Accessories for level switches NS 6/15 AM, NS 6/25 AM NS 25/15 AM, NS 25/25 AM



The flange valves are suitable for mounting with level switches NS 6/15 AM to NS 25/25 AM. The valve body consists of red bronze. The spindle and gland are made of brass. The special advantage of the valve is the extremely short length. The seal is metallic. The valves are usable universally.

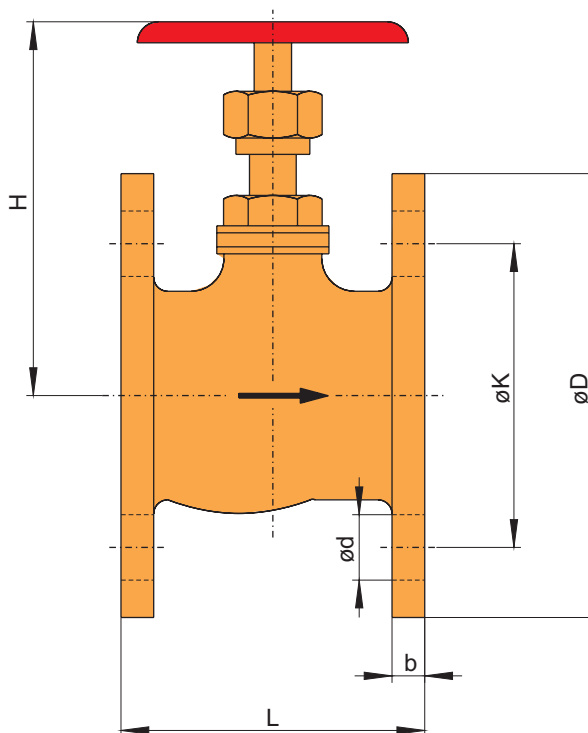
- **short length**
- **metallic seal**

technical data

types	DN 15 ; PN 16 DN 25 ; PN 16
max. operating pressure	16 bar
max. operat. temperature	120 °C
material	red bronze and brass
valve seal	metallic packing

dimensions

description	DN 15	DN 25
øD	95	115
øK	65	85
b	7	8
H	80	115
L	65	85
ød	14	14
wight	1 kg	1,8 kg
screws	M12x50 Mu	M12x55 Mu
no. of screws	4	4
seal DIN2690	45/22x2	58/27x2



Attention! Valves can be mounted at types NS 25/15 AM and NS 25/25 AM but only be used up to a max. operating pressure of 16 bar.

order information

type	part-no.
flange valve DN15 ; PN16	26 01 000
flange valve DN25 ; PN16	26 02 000