

## Accessories for level switches NS 10/15 AM to NS 100/25 AM



The flange valves are suitable for mounting with level switches NS 10/15 AM to NS 100/25 AM. The valve body consists of C22,8 (normally type) and 1.4408 (stainless steel version). The ball- and stem-seal are made of PTFE (Teflon). The special advantage of the valve is the extremely short length. The valves are usable universally.

- **short length**
- **normally and stainless steel types**
- **normally size (DN) 15 to 25 mm**
- **normally pressure (PN) up to 100 bar**

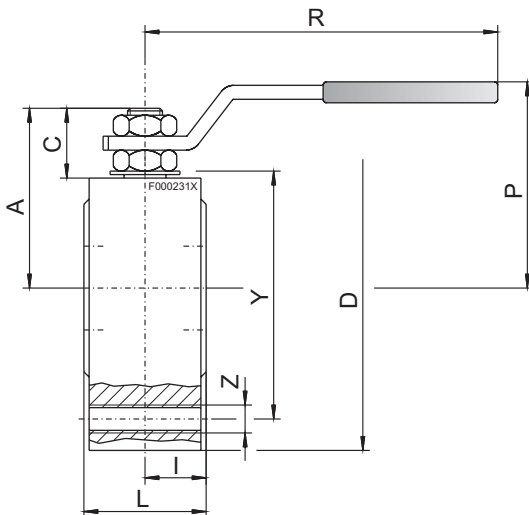
## technical data

types	ball valve (steel)	ball valve (stainless steel)
normally pressure (PN)	16/40 ; 65 ; 100	16/40 ; 65 ; 100
normally size (DN)	15 (1/2") ; 20 (3/4") ; 25 (1")	15 (1/2") ; 20 (3/4") ; 25 (1")
operating temperature	-20 to +160°C	-30 to +160°C

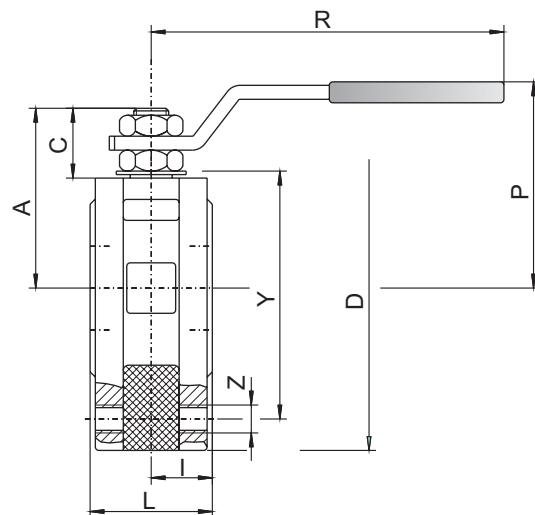
### material:

	ball valve (steel)	ball valve (stainless steel)
housing	steel C22.8	1.4408
ball	1.4301	1.4401
ball- and stem-seal	PTFE (Teflon)	PTFE (Teflon)
o-rings	FKM (Viton)	FKM (Viton)
Handle	steel galvanizes	steel galvanizes

ball valve (steel)



ball valve (stainless steel)



ball valves (steel)													
Part-no.	DN	D	Y	Z	I	L	R	P	A	C	PN	Kg	
9008070	1/2"	15 mm	90	65	4xM12	19	35	131,5	64,5	47	15,5	16	1,3
9008001	3/4"	20 mm	100	75	4xM12	20	40	131,5	69	51,5	15,5	16	1,9
9008002	1"	25 mm	110	85	4xM12	24	46	174,5	80,5	61	19,5	16	2,7
9008073	1"	25 mm	140	100	4xM16	32,5	65	253	116	81	23	65	4,8
9008077	1"	25 mm	140	100	4xM16	32,5	65	253	116	81	23	100	4,8
ball valves (stainless steel)													
Part-no.	DN	D	Y	Z	I	L	R	P	A	C	PN	Kg	
9008071	1/2"	15 mm	90	65	4xM12	19	35	131,5	64,5	47	15,5	16	1,3
9008072	3/4"	20 mm	100	75	4xM12	20	40	131,5	69	51,5	15,5	16	1,9
9008004	1"	25 mm	110	85	4xM12	24	46	174,5	80,5	61	19,5	16	2,7
9008078	1"	25 mm	140	100	4xM16	32,5	65	253	116	81	23	65	4,8
9008079	1"	25 mm	140	100	4xM16	32,5	65	253	116	81	23	100	4,8

### Order information:

order with: part-no., Type, normally pressure PN and normally size DN