

Synchronous Servomotors DBL / DBK

KOLLMORGEN®

Because Motion Matters™

Synchronous servomotors DBL/DBK

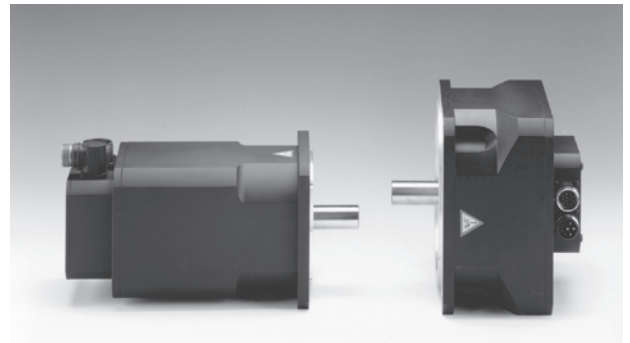
The synchronous servomotors of the series DBL/DBK are brushless three-phase motors for high quality servo-applications.

The servomotors have Neodymium permanent magnets in the rotor. Because of standardised flange and shaft measurements the gear fitting is no problem.



Feedback

The motors are equipped with two-pole hollow-shaft resolvers. As an alternative these motors are available with high resolution encoders. Retrofitting is not possible. The length of the motor depends on the feedback type.



Holding brake

The motor can be delivered with or without a built-in holding brake. Retrofitting is not possible. The motor length will increase with an installed brake.



Safety

Coil temperature is supervised by temperature sensors and reported by potential free contacts (DBL1:PTC).

Short motors

Coil temperature is supervised by temperature sensors and reported by potential free contacts.



Compatibility

The DBL motors are compatible with the proven 6SMx7 motor series.

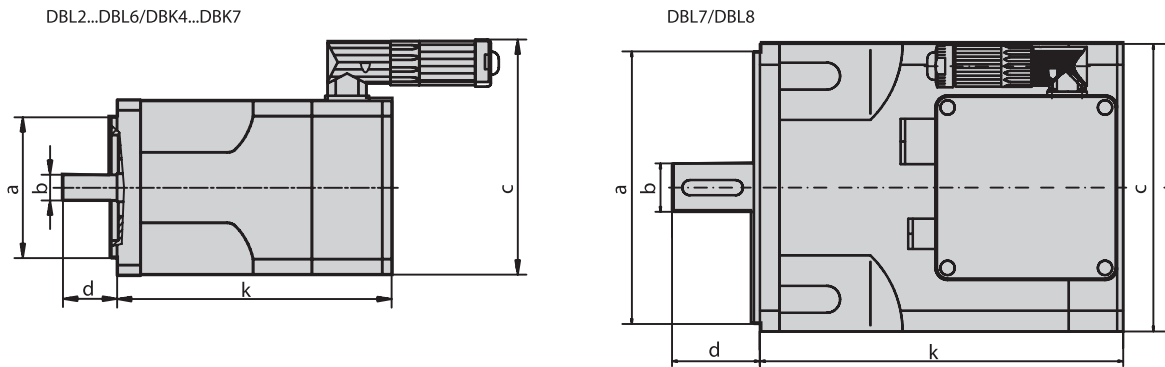
Features

- neodymium magnets for highly dynamic function
- flange dimensions to IEC standard, fit j6, accuracy according to DIN 42955, tolerance class R
- vibration class N according to DIN ISO 2373
- insulation for 480V rated mains voltage (DBL1 : 230V)
- insulation material class F according to DIN 57530
- shaft end without a fitted-keyway
- protection class IP 64
- Built-in Resolver
- DBL2...8 and DBK motors are UL Recognized

Options

- holding break
- shaft with keyway
- radial shaft-sealing ring
- vertical mounting sockets for resolver and power connections
- built-in high resolution EnDat encoder
- second thermal protection contact

Dimensions



	Mo/Nm	a/mm	b/mm	d/mm	c/mm	k/mm
DBL1	0,1...0,2	25	6	16	70	83...99
DBL2	0,4...0,8	40	9	20	90	122...152
DBL3	0,65...1,9	60	11	23	110	116...152
DBL3	2,5...3	60	14	30	110	170...188
DBL4	2,6...9,5	95	19	40	135	155...286
DBL5	10,5...22	130	24	50	155	220...305
DBL6	22...29	180	24	50	190	243...311
DBL7	26...40	180	32	58	190	240...298
DBL8	40...115	230	42	82	240	311...515

Short motors

DBK4	1...1,6	95	14	30	135	90...105
DBK5	2,1...4,3	130	19	40	155	136...153
DBK6	3,5...7	180	19	40	190	141...158
DBK7	6,5...19,5	180	24	50	190	152...198

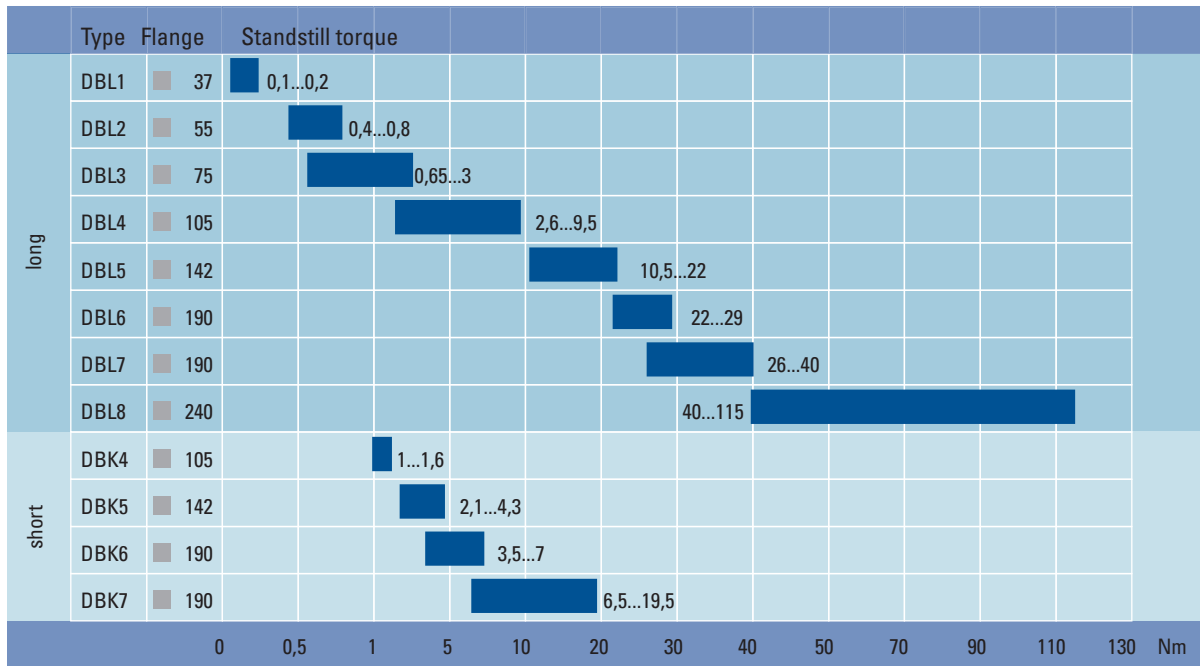
Technical data

Type	cont. torque at stall Mo[Nm]	cont. current at stall Io[A]	rated mains voltage Un[V AC]	rated speed n[1/min]	Motor inertia J[kg cm ²]
DBL1X00010	0,1	0,60	230	6000	0,06
DBL1X00020	0,2	0,93	230	6000	0,12
DBL2H00040	0,4	0,93	230/400	4500/6000	0,08
DBL2H00060	0,6	1,50	230/400	4500/6000	0,11
DBL2M00080	0,8	0,83	400	4500	0,13
DBL2H00080	0,8	1,49	230/400	4500/6000	0,13
DBL3N00065	0,65	0,67	400/480	3000/3600	0,5
DBL3H00065	0,65	1,08	230/400	3000/6000	0,5
DBL3N00130	1,3	1,00	400/480	3000/3600	0,8
DBL3H00130	1,3	1,75	230/400	3000/6000	0,8
DBL3M00190	1,9	1,50	400/480	3000/3600	1,0
DBL3H00250	2,5	3,00	230/400	3000/6000	1,4
DBL3N00300	3,0	2,08	400/480	3000/3600	1,7
DBL4N00260	2,6	1,9	400/480	3000/3600	2,1
DBL4H00260	2,6	3,0	230	3000	2,1
DBL4N00530	5,3	3,2	400/480	3000/3600	2,8
DBL4H00530	5,3	6,5	230	3000	2,8
DBL4N00750	7,5	4,1	400/480	3000/3600	4,3
DBL4H00750	7,5	9,3	230	3000	4,3
DBL4N00950	9,5	6,1	400/480	3000/3600	6,5
DBL5N01050	10,5	6,5	400/480	3000/3600	8,1
DBL5H01050	10,5	14,1	230	3000	8,1
DBL5N01350	13,5	8,7	400/480	3000/3600	9,1
DBL5H01350	13,5	18,6	230	3000	9,1
DBL5N01700	17,0	10,4	400/480	3000/3600	11,3
DBL5H01700	17,0	20,0	230	3000	11,3
DBL5N02200	22,0	13,7	400/480	3000/3600	13,1
DBL6N02200	22,0	15,1	400/480	3000/3600	25,1
DBL6N02900	29,0	17,5	400/480	3000/3600	38,2
DBL7N02600	26,0	17,0	400/480	3000/3600	97,4
DBL7N03200	32,0	20,0	400/480	3000/3600	114,1
DBL7N04000	40,0	23,4	400/480	3000/3600	139,4
DBL8N04000	40,0	23,0	400/480	3000/3600	71,1
DBL8N06800	68,0	37,0	400/480	3000/3600	113,6
DBL8L09300	93,0	34,0	400	2000	153
DBL8L11500	115,0	43,0	400	2000	190

Short motors

DBK4N00100	1,0	1,1	400/480	3000/3600	0,79
DBK4H00100	1,0	1,9	230	3000	0,79
DBK4N00160	1,6	1,1	400/480	3000/3600	1,28
DBK4H00160	1,6	1,9	230	3000	1,28
DBK5N00210	2,1	1,5	400/480	3000/3600	4,13
DBK5H00210	2,1	4,0	230	3000	4,13
DBK5N00430	4,3	2,3	400/480	3000/3600	5,78
DBK5H00430	4,3	5,0	230	3000	5,78
DBK6N00350	3,5	2,8	400/480	3000/3600	8
DBK6N00700	7,0	5,0	400/480	3000/3600	11,35
DBK7N00650	6,5	4,5	400/480	3000/3600	32,36
DBK7N01200	12,0	7,5	400/480	3000/3600	53,11
DBK7N01950	19,5	11,8	400/480	3000/3600	69,16

The best motor for each drive



France

Danaher Motion
C.P 80018
12, Rue Antoine Becquerel – Z.I. Sud
72026 Le Mans Cedex 2
Phone : +33 (0) 243 50 03 30
Fax : +33 (0) 243 50 03 39
E-mail : sales.france@danahermotion.com

Germany

Danaher Motion GmbH
Sales Office North
Wacholderstraße 40-42
40489 Düsseldorf
Phone : +49 (0) 203 9979 250
Fax : +49 (0) 203 9979 3315
E-mail: vertrieb.nord.de@danahermotion.com

Danaher Motion GmbH
Sales Office South West
Brückenfeldstraße 26/1
75015 Bretten
Phone : +49 (0) 7252 96462 0
Fax : +49 (0) 203 9979 3317
E-mail : vertrieb.suedwest.de@danahermotion.com

Danaher Motion GmbH
Sales Office South East
Münzgasse 6
72379 Hechingen
Phone : +49 (0) 7471 99705 0
Fax : +49 (0) 203 9979 3316
E-mail: vertrieb.suedost.de@danahermotion.com

Italy

Danaher Motion srl
Largo Brughetti 1/B2
20030 Bovisio Masciago (MI)
Phone : +39 0362 594260
Fax : +39 0362 594263
E-mail : kollmorgen.italy@danahermotion.com

Switzerland

Danaher Motion SA
La Pierreire 2
1029 Villars-Ste-Croix
Phone : +41 (0) 21 631 33 33
Fax : +41 (0) 21 636 05 09
E-mail : kollmorgen.switzerland@danahermotion.com

United Kingdom

Danaher Motion
Chartmoor Road, Chartwell Business Park
Leighton Buzzard, Bedfordshire
LU7 4WG
Phone : +44 (0)1525 243 243
Fax : +44 (0)1525 243 244
E-mail : sales.uk@danahermotion.com

Europe/Middle East/Africa

Danaher Motion GmbH
Wacholderstraße 40-42
40489 Düsseldorf
Germany
Phone: +49 (0) 203 9979 235
Fax : +49 (0) 203 9979 3314
E-mail : kollmorgen.europe@danahermotion.com

Asia Pacific

Danaher Motion (HK) Ltd
Unit A, 16 Floor, 169 Electric Road
Manulife Tower, North Point
Hong Kong
Phone : +852 2503 6581
Fax : +852 2571 8585
E-mail : kollmorgen.asiapacific@danahermotion.com

China

Danaher Motion
Rm 2205, Scitech Tower
22 Jianguomen Wai Street
Beijing 100004
Phone : +86 10 6515 0260
Fax : +86 10 6515 0263
E-mail : sales.china@danahermotion.com

India

Danaher Motion
Unit No 2, SDF 1 SeepzAnderi
Mumbai 400 096
Phone : +91 22 2829 4058
Fax : +91 22 2839 4036
E-mail : kollmorgen.india@danahermotion.com

Japan

Danaher Motion Japan
2F, Tokyu Reit Hatchobori Bldg,
2-7-1 Hatchobori Chuo-ku,
Tokyo 104-0032
Phone : +81 3 6222 1051
Fax : +81 3 6222 1055
E-mail : kollmorgen.japan@danahermotion.com

USA, Canada and Mexico

Danaher Motion
203A West Rock Road
Radford, VA 24141
Phone : +1 540 633 3400
Fax : +1 540 639 4162
E-mail : DMAC@danahermotion.com