

# Accessories

Mating plugs, Socket devices and Thread adapters



- High-quality accessories
- Developed for our products
- Aligned to our products
- Originals from the manufacturer

# Mating plugs

For pressure switches with integrated connector

M.10  
Accessories

<p><b>Deutsch DT06-2S (for DT04-2P)</b> 2 x 0,5 mm<sup>2</sup> Radox cable, IP65</p>	<p>suitable for series <b>0110 / 0111</b> <b>0410 / 0411</b></p>	<p>Article number: <b>1-1-10-653-118</b></p>	<p>1: white 2: black</p>	
<p><b>Deutsch DT06-3S (for DT04-3P)</b> 3 x 0,75 mm<sup>2</sup> PUR cable, IP67</p>	<p>suitable for series <b>0116 / 0117 / 0136 / 0137</b> <b>0416 / 0417</b></p>	<p>Article number: <b>1-1-36-653-160</b></p>	<p>A: brown B: blue C: black</p>	
<p><b>TE AMP Superseal 1.5<sup>®</sup>, 2-pin</b> 2 x 0,5 mm<sup>2</sup> Radox cable, IP65</p>	<p>suitable for series <b>0112 / 0113</b> <b>0412 / 0413</b></p>	<p>Article number: <b>1-1-12-653-113</b></p>	<p>1: white 2: black</p>	
<p><b>TE AMP Superseal 1.5<sup>®</sup>, 3-pin</b> 3 x 0,5 mm<sup>2</sup> Radox cable, IP65</p>	<p>suitable for series <b>0132 / 0133</b></p>	<p>Article number: <b>1-1-32-653-158</b></p>	<p>1: black 2: red 3: white</p>	
<p><b>TE AMP Junior Timer, 2-pin</b> 2 x 0,5 mm<sup>2</sup> Radox cable, IP65</p>	<p>suitable for series <b>0118 / 0119</b> <b>0418 / 0419</b></p>	<p>Article number: <b>1-1-18-653-116</b></p>	<p>1: black 2: white</p>	
<p><b>Packard MetriPack 280, 2-pin</b> 2 x 0,5 mm<sup>2</sup> Radox cable, IP65</p>	<p>suitable for series <b>0114 / 0115</b> <b>0414 / 0415</b></p>	<p>Article number: <b>1-1-14-653-114</b></p>	<p>A: black B: white</p>	
<p><b>Bayonet DIN 72585 A1-2.1</b> 2 x 0,5 mm<sup>2</sup> Radox cable, IP65</p>	<p>suitable for series <b>0120 / 0121</b></p>	<p>Article number: <b>1-1-20-653-112</b></p>	<p>1: black 2: white</p>	
<p><b>M 12x1 DIN EN 61076-2-101-LF, 4-pin</b> 4 x 0,34 mm<sup>2</sup> PUR cable, IP65</p>	<p>suitable for series <b>0122 / 0123 / 0124 / 0125</b> <b>0134 / 0135 / 0424 / 0425</b></p>	<p>Article number: <b>1-1-00-653-162</b></p>	<p>1: brown 2: white 3: blue 4: black</p>	

All mating plugs with 2 m cable

# Socket devices and protective caps

- IP65 socket devices or IP54 rubber protective caps for increased protection
- Simple installation with plug-in socket devices

<p><b>Rubber protective cap</b></p> <p>With central cable feed-through for 1.5 - 5 mm cable diameter</p> <p><b>With rubber protective cap fitted: IP54</b></p> <p>Suitable for voltages up to 42 V</p>	<p><b>Rubber protective cap</b></p> <p>With two cable feed-throughs for 1.7 - 2,2 mm cable diameter</p> <p><b>With rubber protective cap fitted: IP54</b></p> <p>Suitable for voltages up to 42 V</p>	<p><b>Rubber protective cap</b></p> <p>With two cable feed-throughs for 1.7 - 2,3 mm cable diameter</p> <p><b>With rubber protective cap fitted: IP54</b></p> <p>Suitable for voltages up to 42 V</p>	<p><b>Socket device</b></p> <p>cCSAus approval Housing: Polyamide PG9 screw fitting (tightening range 6 - 9 mm)</p> <p><b>With socket device fitted: IP65</b></p> <p>Suitable for voltages up to 250 V</p>
<p>suitable for series <b>0151 / 0163 / 0164 / 0166 0167 / 0168 / 0169</b></p>	<p>suitable for series <b>0151 / 0163 / 0164 / 0166 0167 / 0168 / 0169</b></p>	<p>suitable for series <b>0170 / 0171 / 0180* / 0181* / 0183* / 0186* / 0187* 0190 / 0191 / 0196 / 0197</b> (*up to 42 V)</p>	<p>suitable for series <b>0170 / 0171 / 0180 / 0181 0183 / 0186 / 0187 0190 / 0191 / 0196 / 0197</b></p>
<p>Article number: <b>1-1-66-621-010</b></p>	<p>Article number: <b>1-1-66-621-003</b></p>	<p>Article number: <b>1-1-70-621-007</b></p>	<p>Article number: <b>1-1-80-652-002</b></p>



### Socket device

to DIN EN 175301-803-A  
(DIN 43650)

PG9 screw fitting  
(tightening range 6 – 9 mm)  
terminals for wire cross-  
sections: 0.34 ... 1.5 mm<sup>2</sup>  
(AWG 22 ... AWG 16),  
tightening torque for  
terminal screw 0.4 Nm

### With socket device fitted: IP65

Suitable for voltages  
up to 250 V

suitable for series

**0150 / 0161 / 0162 / 0175**  
**0184 / 0185 / 0194 / 0195**

Article number:  
**1-1-84-652-009**



### Socket device

With indicator lamp to  
DIN EN 175301-803-A  
(DIN 43650)

PG9 screw fitting  
(tightening range 6 – 9 mm)  
terminals for wire cross-  
sections: 0.34 ... 1.5 mm<sup>2</sup>  
(AWG 22 ... AWG 16),  
tightening torque for  
terminal screw 0.4 Nm

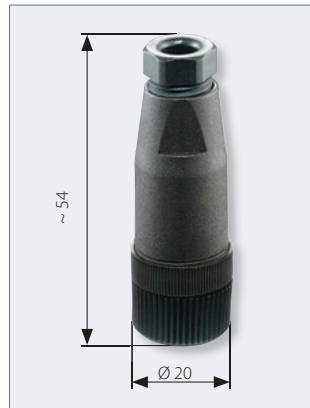
### With socket device fitted: IP65

Suitable for voltages  
up to 24 or 250 V

suitable for series

**0150 / 0161 / 0162 / 0175**  
**0184 / 0185 / 0194 / 0195**

Article number:  
for 24 VDC: **1-1-84-652-011**  
for 250 VAC: **1-1-84-652-010**



### Socket device

M 12x1  
DIN EN 61076-2-101 A  
straight, 4-pin

Terminals for wire  
cross-section  
0.75 mm<sup>2</sup> (AWG 18),  
tightening torque  
for terminal screw  
0.4 Nm

### With socket device fitted: IP65

Suitable for voltages  
up to 48 V

suitable for series

**0122 / 0123 / 0124 / 0125**  
**0134 / 0135 / 0424 / 0425**

and for all transmitters and  
electronic pressure switches  
with an M12 connector

Article number:  
**1-6-00-652-016**



### Socket device

M 12x1  
DIN EN 61076-2-101 A  
angled, 4-pin

Terminals for wire  
cross-section  
0.75 mm<sup>2</sup> (AWG 18),  
tightening torque  
for terminal screw  
0.4 Nm

### With socket device fitted: IP65

Suitable for voltages  
up to 48 V

suitable for series

**0122 / 0123 / 0124 / 0125**  
**0134 / 0135 / 0424 / 0425**

and for all transmitters and  
electronic pressure switches  
with an M12 connector

Article number:  
**1-6-00-652-017**

# Thread adapters

For requirements at short notice and for realising custom solutions

- The materials and shapes of thread adapters are aligned perfectly to our switches and transmitters
- Thread adapters are supplied with seals




**For G 1/8 female**

Vacuum switch  
with thread code 15



**For G1/4 DIN EN ISO 1179-1 (DIN 3852-E)**

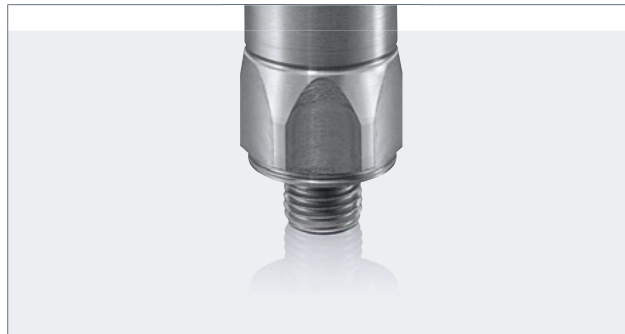
All pressure switches and transmitters  
with thread code 41

Dual nipple brass		Thread adapters stainless steel (1.4305 / AISI 303)			
<b>G 1/8 shape E</b> DIN EN ISO 1179-2 includes sealing ring NBR	<b>G 1/8 shape A</b> DIN ISO 16030 includes sealing ring stainless steel / NBR	<b>G 1/4</b> DIN EN ISO 1179-1 (DIN 3852-E) female thread			
					
<b>NPT 1/8-27</b>	<b>NPT 1/4-18</b>	<b>M10 x 1 shape A</b> DIN 3852-1	<b>M14 x 1.5 shape E</b> DIN 3852-E includes sealing ring FKM	<b>NPT 1/4-18</b>	<b>9/16 -18UNF</b> includes O-ring FKM
hex 15 h = 25 mm	hex 24 h = 28 mm	hex 22 h = 30,5 mm	hex 22 h = 35 mm	hex 22 h = 35,5 mm	hex 22 h = 33 mm
Article number:	Article number:	Article number:	Article number:	Article number:	Article number:
<b>1-1-00-420-014</b>	<b>1-1-00-420-029</b>	<b>1-1-00-420-020</b>	<b>1-1-00-420-028</b>	<b>1-1-00-420-021</b>	<b>1-1-00-420-027</b>



**For G 1/4**

All hex 24 and hex 27 pressure switches with thread code 03



**For M14x1.5 ISO 6149-3**

Pressure switch series 0183 with thread code 45



**For G 1/4**

All hex 24 and hex 27 pressure switches with thread code 03

**Thread adapters  
zinc-plated steel (CrVI-free)**

**Adapter  
Aluminium**

**G 1/4**  
female thread  
includes sealing ring FKM

**M14 x 1.5**  
DIN EN ISO 6149-1  
female thread

**G 1/4**  
female thread  
includes copper sealing ring



**R 1/4**

**3/8-24 UNF-2A**

**G 1/4**

**M12 x 1.5**

**NPT 1/8-27**

**Block style**  
includes  
NBR O-ring

hex 24  
h = 30 mm

hex 24  
h = 26 mm

hex 24  
h = 26 mm

hex 24  
h = 26 mm

hex 24  
h = 26 mm

35 A/F  
h = 22 mm

Article number:

Article number:

Article number:

Article number:

Article number:

Article number:

**1-1-00-420-009**

**1-1-00-420-013**

**1-1-83-420-006**

**1-1-83-420-007**

**1-1-83-420-008**

**1-1-00-420-025**

